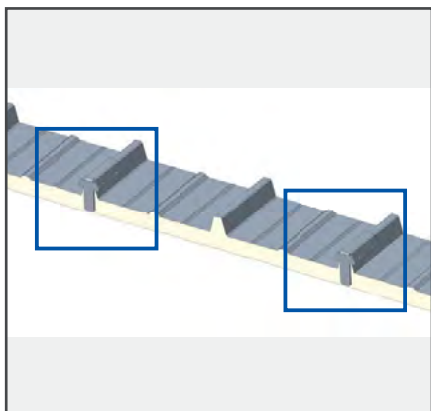


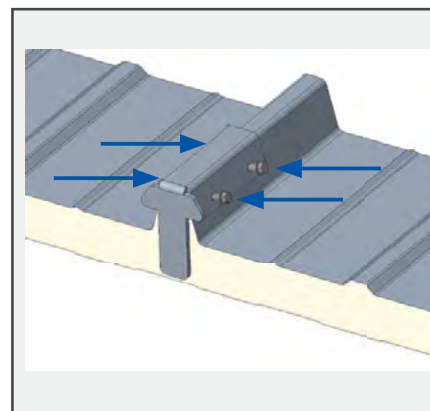
INFINITY RAINWATER SYSTEMS | INSTALLATION - SANDWICH PANEL GUTTER BRACKETS



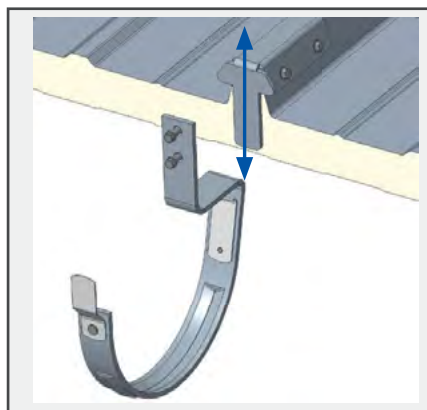
Available in half round gutter sizes 125 (only for roof panel depths of up to 60 mm), 150 and 190mm, and for all popular brands of sandwich roof panels. Predrilled holes for side screwing onto sandwich roof panel ridges. Applicable for roof pitches of 5° to 15°. No need to bending on site. Suitable for roof panel thicknesses of up to 160 mm



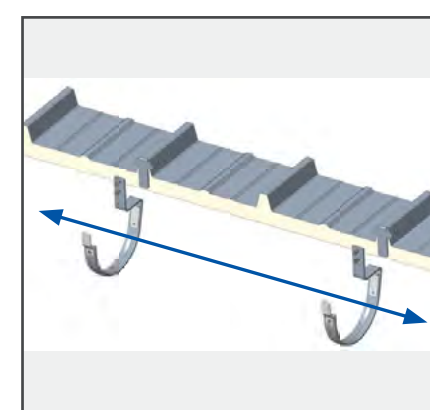
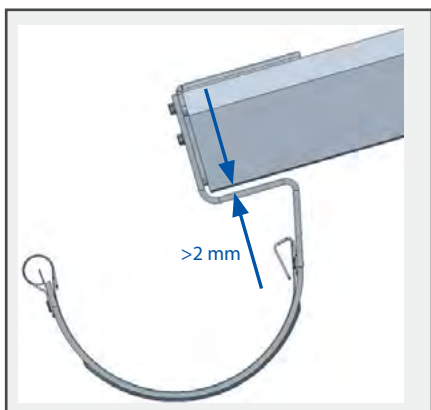
1. Place the clamp bracket with glued-in EPDM seal on every second roof panel ridge



2. Screw the clamp brackets to the predrilled holes with four thin sheet metal screws supplied (RP-T2, 6,0 x 25 mm).

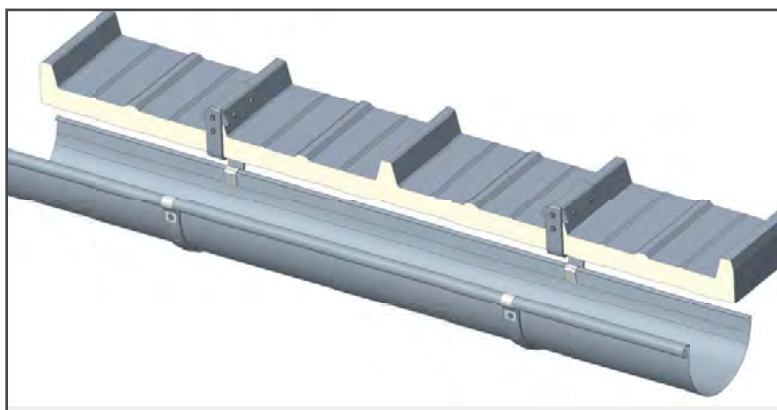


3. Align the gutter hook vertically on the bracket of the clamp and screw it in depending on the installation variant:
Option a) Installation without slope
Option b) Installation with slope.

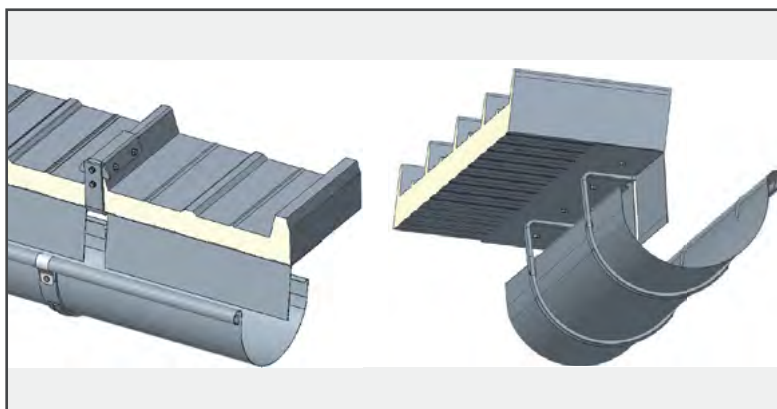


Option a) Installation without slope/fall: Align the gutter hooks in a position where there is a gap of approx. 2 mm between the lower cover shell of the sandwich panel and the gutter hook. Then properly fasten the gutter hooks at the front of the clamp to the specified holes in the clamp using two of the supplied self-drilling screws (RP-K, 6.3 x 25 mm).

Option b) Installation with slope/fall: Install the brackets at the high and low points first: then align the gutter hooks at the high point so that there is a distance of approx. 2mm between the underside of the sandwich panel and the bracket. Align the bracket at the low point accordingly. Then properly fasten the bracket at the front of the clamp through the predrilled holes using two of the supplied self-tapping screws (RP-K, 6.3 x 25 mm). Align the remaining brackets with the help of a light of cord/string and mount them as described above.

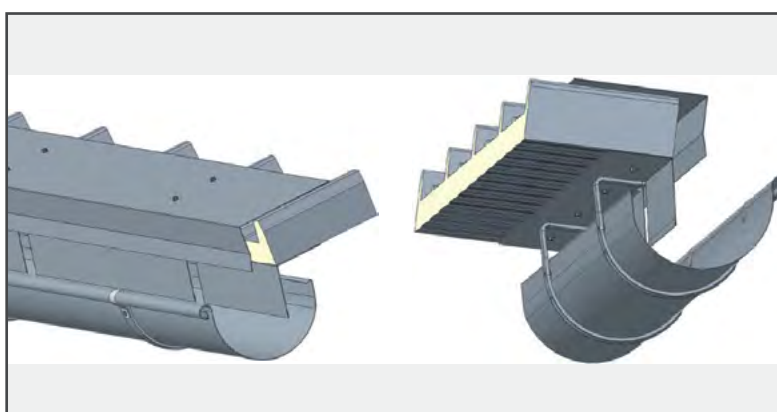


4. Hang the gutter and wrap the front part of the bracket over the beaded front edge of the gutter to secure it in place.



Option 1. Eaves plate:

In many cases, an eaves plate might be considered necessary. This can be fastened to the lower edge of the sandwich panel with rivets (e.g. cup rivets 3.2 x 6 mm) or thin sheet metal screws



Option 2. Wind deflector:

It is also possible to attach a wind deflector to the system if that is considered necessary. This can be fastened into the top of the bracket clamps with two self-drilling screws (RP-K, 6.3 x 25 mm).