

## RTV-UNI | Universal Roof Tile Vent

Universal roof tile vent to enable ventilation directly into a roof space or connect to a ducted ventilation system

### Uses

- On roofs with any type of tile or slate roof covering
- Enables ventilation directly into a roof space
- Can also be connected to a ducted ventilation system inside the building

### Features and Benefits

- Suitable for roofs with a minimum pitch of 12.5°
- Max free ventilation area of 20,000mm<sup>2</sup> when cut at 170mm diameter
- Max free ventilation area of 16,000mm<sup>2</sup> when cut at 150 diameter
- Max free ventilation area of 11,000mm<sup>2</sup> when cut at 125 diameter
- Max free ventilation area of 8,400mm<sup>2</sup> when cut at 110 diameter
- Designed to provide ventilation through all types and profiles of tile or slate
- Integrated lead alternative flashing provides a customisable fit
- Shaped to manage and channel rainwater back down onto the roof tiles and away from the vent opening
- 4mm spaced external grille to prevent rainwater ingress and keep out large insects, vermin and debris
- UV stabilised top for continuous exposure to sunlight
- Lightweight and easy to handle

### Relevant Standards

- BS EN 490:2011 Concrete roofing tiles and fittings for roof covering and wall cladding - product specifications (+A1:2017)
- BS 5250: 2021 Management of moisture in buildings – Code of practice
- BS 5534:2014 Slating and tiling for pitched roofs and vertical cladding – code of practice (+A2:2018)
- Manufactured to BS EN ISO 9001:2015 and BS EN ISO 14001:2015
- Complies with all relevant sections of the Building Regulations 2010
- Satisfies all relevant NHBC requirements

### Compatibility

The alternative lead flashing sheet allows the Universal Roof Tile Vent to be installed onto all types of tile or slate roof covering.

### Product Codes

Product Description	Colour	Weight	Box Quantity	Product Code	Pack Quantity	Pack Code	Pallet Quantity
Universal Roof Tile Vent	Terracotta	1.57kg	1	RTV-UNITE	4	RTVMULTI-UNITE	60
Universal Roof Tile Vent	Brown	1.57kg	1	RTV-UNIBR	4	RTVMULTI-UNIBR	60
Universal Roof Tile Vent	Grey	1.57kg	1	RTV-UNIGR	4	RTVMULTI-UNIGR	60
Universal Roof Tile Vent	Red	1.57kg	1	RTV-UNIRD	4	RTVMULTI-UNIRD	60
Universal Roof Tile Vent	Black	1.57kg	1	RTV-UNIBL	4	RTVMULTI-UNIBL	60

### Accessories

- The 110mm Flexi-Pipe (RTV-KIT1) can be used to aid connection to ventilation duct or soil vent pipe



Terracotta  
RTV-UNITE



Brown  
RTV-UNIBR

Grey  
RTV-UNIGR

Red  
RTV-UNIRD

Black  
RTV-UNIBL

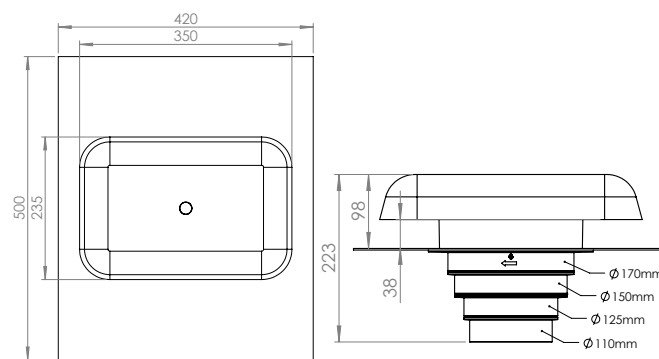
### Material and Colour Choice

- Top - UV stabilised coloured injection moulded Polypropylene with textured finish
- Available in Terracotta, Brown, Grey, Red and Black
- DEKS Fast Flash Self Adhesive Lead Alternative in Black\*



\*Visit the [DEKS website](#) for further information and for [installation advice](#).

### Product Dimensions



Top Profile

Side Profile

**NB.** RTV-UNI available in single, pack or pallet quantities. For pack quantities, 4 tile vent assemblies are packaged in one large box.



110mm Flexi-Pipe RTV-KIT1