

Plain Roof Tile Vent Adapter

Duct adapter for Timloc Plain and Interlocking Plain Inline Roof Tile Vents

Uses

- To provide Timloc Roof Tile Vents with a 110mm duct or soil vent pipe connection

Features and Benefits

- Compatible with Timloc Plain Inline Roof Tile Vents RTV-P / RTV-IP without reducing the free vent area of the system.
- Simply click into position to secure the adapter to base of the tile vent
- Provides a precise fit to 110mm duct or Soil Vent Pipe
- Duct can be secured to the adapter with adjustable screw clamps, zip ties or glued/screwed.

Relevant Standards

- BS 5250: 2021 Management of moisture in buildings – Code of practice
- Manufactured to BS EN ISO 9001:2015 and BS EN ISO 14001:2015
- Complies with all relevant Building Regulations 2010
- Satisfies all NHBC requirements

Product Codes

Product Description	Colour	Weight	Box Quantity	Product Code
Plain Tile Vent Adapter	Black	0.13kg	12	RTV-ADP

Accessories

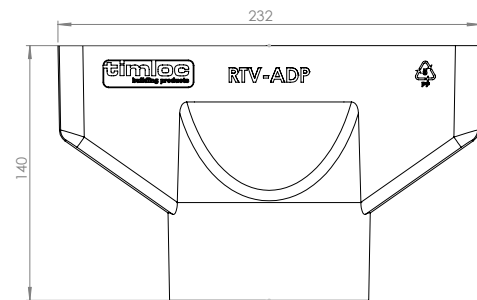
- RTV-ADP is also compatible with other Timloc accessories



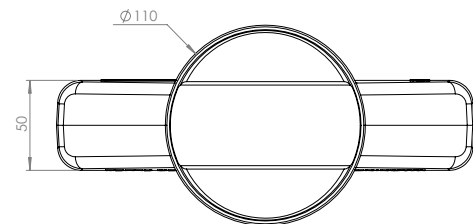
Material and Colour

- Injection moulded Polypropylene
- Available in Black only

Product Dimensions



Side Profile



Top Profile

NB. Available in single, pack or pallet quantities.



Multi Adapter **RTV-ADMULTI**



110mm Flexi-Pipe **RTV-KIT1**