

Inline Slate Vent Adapter

110mm duct adapter for the Timloc Inline Slate Vent

Uses

- To provide Timloc Inline Slate Vents with a 110mm duct or soil vent pipe connection

Features and Benefits

- Compatible with the Timloc Inline Slate Vent RTV-IS
- Simply click into position to secure the adapter to spigot of the tile vent
- Provides a precise fit to 110mm duct or Soil Vent Pipe
- Adapter sits below the roof batten to provide a simple, neat installation

Relevant Standards

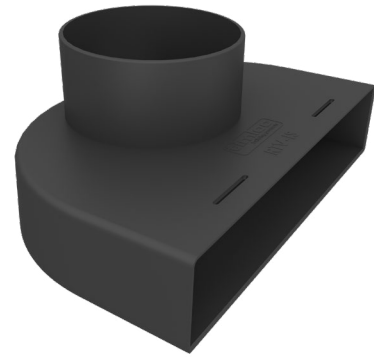
- BS 5250: 2021 Management of moisture in buildings – Code of practice
- Manufactured to BS EN ISO 9001:2015 and BS EN ISO 14001:2015
- Complies with all relevant Building Regulations 2010
- Satisfies all NHBC requirements

Material and Colour

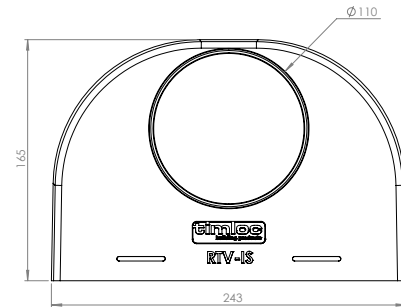
- Injection moulded Polypropylene
- Available in Black only

Product Codes

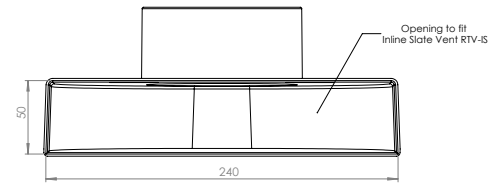
Product Description	Colour	Weight	Box Quantity	Product Code
Inline Slate Vent Adapter	Black	0.24kg	10	RTV-ADIS



Product Dimensions



Top Profile



Side Profile

NB. Available in single, pack or pallet quantities.

Accessories

- RTV-ADIS is also compatible with other Timloc accessories



Multi Adapter **RTV-ADMULTI**



110mm Flexi-Pipe **RTV-KIT1**