

SKYLINE

ARCHITECTURAL ALUMINIUM

 Rainclear Systems •

July 2022



SKYLINE ALUMINIUM FASCIA, SOFFIT & COPING



Online ordering –
pay securely by
credit card or PayPal



Next day delivery
on a huge choice
of stocked items



Take-off service,
quotes and
technical advice



Unrivalled
customer
service

0800 644 44 26 • www.rainclear.co.uk • sales@rainclear.co.uk

THE UK'S LEADING ONLINE RETAILER & LARGEST STOCKIST OF METAL RAINWATER SYSTEMS TO THE TRADE

5

GOOD REASONS TO ORDER FROM RAINCLEAR SYSTEMS

Need help ordering Fascia. Soffit & Coping?
Call **0800 644 44 26** and take advantage of our knowledgeable team



ALUMINIUM



ALUMINIUM



ALUMINIUM



STEEL

Open 8am – 5pm Mon – Fri
Order by noon for delivery
next working day on all stocked
product ranges



Online ordering –
pay securely by
credit card or PayPal



Next day delivery
on a huge choice
of stocked items



FREE delivery
on orders over
£350* or £1K net



Take-off service,
quotes and
technical advice



Unrivalled
customer
service

*All stocked products come with Free Delivery over £500,
made to order products have a threshold of £1,250k

WAYS TO PAY



WAYS TO ORDER

Online www.rainclear.co.uk
Freephone 0800 644 44 26
Email sales@rainclear.co.uk



**DELIVERY
IN 10-15 DAYS**
26 STANDARD RAL COLOURS



We will contact you by return (Mon-Fri 8am-5pm) to confirm the following;

- The exact depth of 'Dimension A' you require.
- The standard RAL colour you require – choose from 26 Standard RAL colours.
- If you've ordered any angles, we'll ask you to confirm the 'degree' you require.



Benefits of Aluminium

- UK manufactured. All processes controlled under ISO9001 & ISO14001 Quality and Environmental Management Systems
- Lightweight, durable and non-corrodible – Low maintenance
- Easy to handle and fix
- Life expectancy of 40 years in rural/suburban areas and up to 25 years in industrial/marine areas
- PLUS Aluminium is 100% recyclable at end of life.

Skyline Aluminium Fascia & Soffit is the highly specified system from leading UK manufacturer Alumasc, widely recognised by architects, specifiers, contractors & developers for its engineered quality and striking design characteristics. The online range is delivered to order in 10-15 days in a choice of 26 standard RAL colours. There are 4 different fascia profiles on the website, which will cover most applications, sizes range from 75mm up to circa 600mm depending on the profile you choose and you also have the option of 2 different soffit profiles.

See the manufacturer's standard RAL colours listed below. Contact us on 0800 644 44 26 to request a free colour swatch.

Colour Options

RAL 1011M	Brown Beige		RAL 7015M	Slate Grey	
RAL 1013M	Pearl White		RAL 7016M	Anthracite Grey	
RAL 1021M	Cadmium Yellow		RAL 7024M	Graphite Grey	
RAL 2002M	Vermilion		RAL 7036M	Platinum Grey	
RAL 3003M	Ruby Red		RAL 7037M	Dusty Grey	
RAL 3005M	Wine Red		RAL 7038M	Agate Grey	
RAL 5003M	Sapphire Blue		RAL 8017M	Chocolate Brown	
RAL 5010M	Flower Blue		RAL 8019M	Grey Brown	
RAL 6005M	Moss Green		RAL 9006M	Metallic Silver	
RAL 6018M	Yellow Green		RAL 9006G	Metallic Silver	
RAL 7005M	Mouse Grey		RAL 9016M	White	
RAL 7006M	Beige Grey		RAL 9017M	Black	
RAL 7012M	Basalt Grey				

Colours are reproduced for general guidance only. For exact colour and finish references please contact Rainclear for colour swatch samples and for further information.

We've put the most popular sizes and profiles on the website but can also offer other sizes and profiles to match individual project requirements. Contact us on 0800 644 44 26.



FASCIA



SOFFIT



COPING



SLOPING COPING



Description	Size Range	Code	£
SF1: 1 BEND 3m length (includes 1no. union)			
	75-180mm	SF11803M	105.45
	181-280mm	SF12803M	144.08
	281-380mm	SF13803M	182.84
	381-480mm	SF14803M	226.88
	481-580mm	SF15803M	265.59

Description	Size Range	Code	£
SF1: 1 BEND EXTERNAL CORNER (includes 1no. union)			
	75-180mm	SF1180EXT	69.34
	181-280mm	SF1280EXT	73.03
	281-380mm	SF1380EXT	76.79
	381-480mm	SF1480EXT	80.64
	481-580mm	SF1580EXT	84.73

Description	Size Range	Code	£
SF1: 1 BEND INTERNAL CORNER (includes 1no. union)			
	75-180mm	SF1180INT	103.18
	181-280mm	SF1280INT	106.82
	281-380mm	SF1380INT	110.59
	381-480mm	SF1480INT	114.50
	481-580mm	SF1580INT	118.58



Description	Size Range	Code	£
SF1: 1 BEND STOPEND (includes 1no. union)			
	75-180mm	SF1180SEND	57.92
	181-280mm	SF1280SEND	66.10
	281-380mm	SF1380SEND	74.34
	381-480mm	SF1480SEND	88.04
	481-580mm	SF1580SEND	96.05

Description	Size Range	Code	£
SF1: 1 BEND LOOSE UNION CLIP			
	75-180mm	SF1180UC	11.05
	181-280mm	SF1280UC	12.08
	281-380mm	SF1380UC	12.96
	381-480mm	SF1480UC	13.90
	481-580mm	SF1580UC	14.94

FASCIA

DELIVERY in 10-15 Days - We will contact you to confirm exact depth of 'Dimension A', the standard RAL colour, and the 'degree' of any angles you have ordered



Description	Size Range	Code	£
SF2: 2 BENDS 3m length (includes 1no. union)			
	75-160mm	SF21603M	110.59
	161-260mm	SF22603M	149.18
	261-360mm	SF23603M	187.98
	361-460mm	SF24603M	231.94
	461-560mm	SF25603M	270.75

Description	Size Range	Code	£
SF2: 2 BENDS EXTERNAL CORNER (includes 1no. union)			
	75-160mm	SF2160EXT	72.66
	161-260mm	SF2260EXT	76.38
	261-360mm	SF2360EXT	80.10
	361-460mm	SF2460EXT	84.02
	461-560mm	SF2560EXT	88.13

Description	Size Range	Code	£
SF2: 2 BENDS INTERNAL CORNER (includes 1no. union)			
	75-160mm	SF2160INT	106.57
	161-260mm	SF2260INT	110.21
	261-360mm	SF2360INT	113.99
	361-460mm	SF2460INT	117.81
	461-560mm	SF2560INT	122.02



Description	Size Range	Code	£
SF2: 2 BENDS STOPEND (includes 1no. union)			
	75-160mm	SF2160SEND	57.92
	161-260mm	SF2260SEND	66.10
	261-360mm	SF2360SEND	74.34
	361-460mm	SF2460SEND	88.04
	461-560mm	SF2560SEND	96.05

Description	Size Range	Code	£
SF2: 2 BENDS LOOSE UNION CLIP			
	75-160mm	SF2160UC	12.79
	161-260mm	SF2260UC	13.68
	261-360mm	SF2360UC	14.68
	361-460mm	SF2460UC	15.55
	461-560mm	SF2560UC	16.61

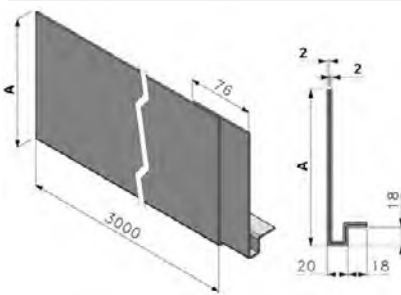
FASCIA

DELIVERY in 10-15 Days - We will contact you to confirm exact depth of 'Dimension A', the standard RAL colour, and the 'degree' of any angles you have ordered



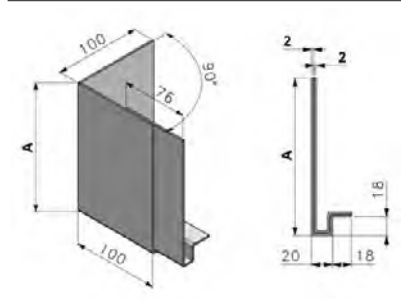
Description	Size Range	Code	£
-------------	------------	------	---

SF3: 3 BENDS 3m length (includes 1no. union)



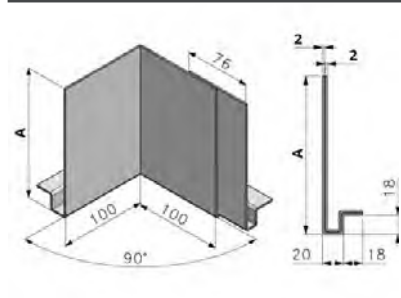
75-144mm	SF31443M	115.64
145-244mm	SF32443M	154.17
245-344mm	SF33443M	192.98
345-444mm	SF34443M	236.98
445-544mm	SF35443M	275.79

SF3: 3 BENDS EXTERNAL CORNER (includes 1no. union)



75-144mm	SF3144EXT	76.07
145-244mm	SF3244EXT	79.75
245-344mm	SF3344EXT	83.50
345-444mm	SF3444EXT	87.41
445-544mm	SF3544EXT	91.45

SF3: 3 BENDS INTERNAL CORNER (includes 1no. union)

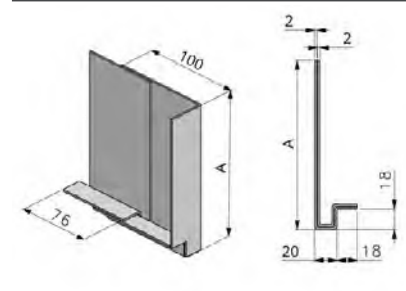


75-144mm	SF3144INT	109.96
145-244mm	SF3244INT	113.62
245-344mm	SF3344INT	117.36
345-444mm	SF3444INT	121.19
445-544mm	SF3544INT	125.35



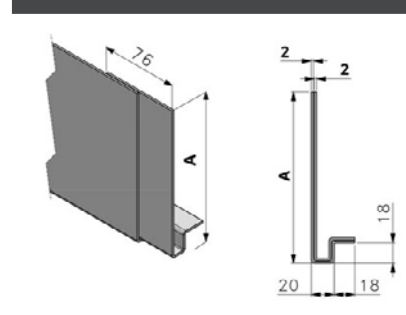
Description	Size Range	Code	£
-------------	------------	------	---

SF3: 3 BENDS STOPEND (includes 1no. union)



75-144mm	SF3144SEND	57.92
145-244mm	SF3244SEND	66.10
245-344mm	SF3344SEND	74.34
345-444mm	SF3444SEND	88.04
445-544mm	SF3544SEND	96.05

SF3: 3 BENDS LOOSE UNION CLIP



75-144mm	SF3144UC	14.42
145-244mm	SF3244UC	15.38
245-344mm	SF3344UC	16.34
345-444mm	SF3444UC	17.23
445-544mm	SF3544UC	18.28

DELIVERY in 10-15 Days - We will contact you to confirm exact depth of 'Dimension A', the standard RAL colour, and the 'degree' of any angles you have ordered



Description	Size Range	Code	£
SF4: 4 BENDS 3m length (includes 1 no. union)			
	75-152mm	SF41523M	120.77
	153-252mm	SF42523M	159.31
	253-352mm	SF43523M	198.03
	353-452mm	SF44523M	242.12
	453-552mm	SF45523M	280.88

Description	Size Range	Code	£
SF4: 4 BENDS EXTERNAL CORNER (includes 1 no. union)			
	75-152mm	SF4152EXT	79.44
	153-252mm	SF4252EXT	83.21
	253-352mm	SF4352EXT	83.21
	353-452mm	SF4452EXT	90.74
	453-552mm	SF4552EXT	94.91

Description	Size Range	Code	£
SF4: 4 BENDS INTERNAL CORNER (includes 1 no. union)			
	75-152mm	SF4152INT	113.32
	153-252mm	SF4252INT	116.98
	253-352mm	SF4352INT	120.77
	353-452mm	SF4452INT	124.61
	453-552mm	SF4552INT	124.61



Description	Size Range	Code	£
SF4: 4 BENDS STOPEND (includes 1 no. union)			
	75-152mm	SF4152SEND	57.92
	153-252mm	SF4252SEND	66.10
	253-352mm	SF4352SEND	74.34
	353-452mm	SF4452SEND	88.04
	453-552mm	SF4552SEND	96.05

Description	Size Range	Code	£
SF4: 4 BENDS LOOSE UNION CLIP			
	75-152mm	SF4152UC	16.10
	153-252mm	SF4252UC	17.05
	253-352mm	SF4352UC	18.01
	353-452mm	SF4452UC	18.91
	453-552mm	SF4552UC	19.95

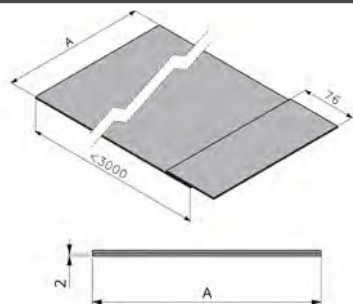
FASCIA

DELIVERY in 10-15 Days - We will contact you to confirm exact depth of 'Dimension A', the standard RAL colour, and the 'degree' of any angles you have ordered



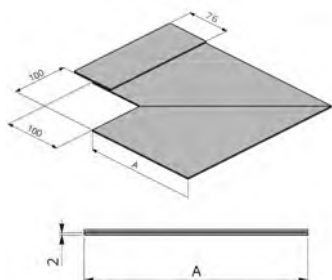
Description	Size Range	Code	£
-------------	------------	------	---

SOF4: 4 BENDS 3m length (includes 1no. union)



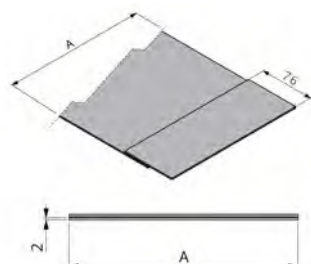
75-200mm	SOF02003M	100.42
201-300mm	SOF03003M	139.05
301-400mm	SOF04003M	177.81
401-500mm	SOF05003M	221.83
501-600mm	SOF06003M	260.56

SOF4: 4 BENDS CORNER (includes 1no. union)



75-200mm	SOF0200CNR	32.10
201-300mm	SOF0300CNR	40.07
301-400mm	SOF0400CNR	52.56
401-500mm	SOF0500CNR	73.51
501-600mm	SOF0600CNR	92.18

SOF4: 4 BENDS LOOSE UNION CLIP

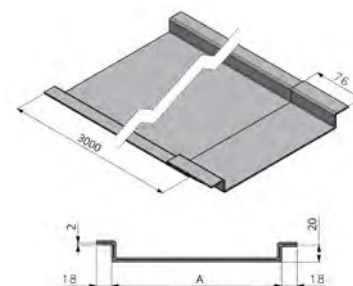


75-200mm	SOF0200UC	9.33
201-300mm	SOF0300UC	10.30
301-400mm	SOF0400UC	11.22
401-500mm	SOF0500UC	12.15
501-600mm	SOF0600UC	13.18



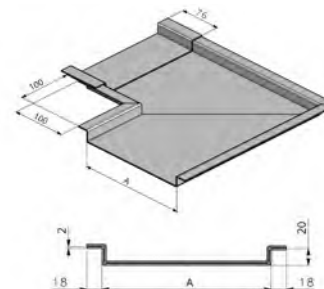
Description	Size Range	Code	£
-------------	------------	------	---

SOF4: 4 BENDS 3m length (includes 1no. union)



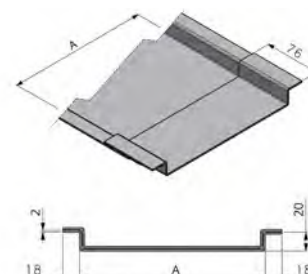
75-124mm	SOF41243M	120.77
125-224mm	SOF42243M	159.31
225-324mm	SOF43243M	198.03
325-424mm	SOF44243M	242.12
425-524mm	SOF45243M	280.88

SOF4: 4 BENDS CORNER (includes 1no. union)



75-124mm	SOF4124CNR	86.21
125-224mm	SOF4224CNR	94.21
225-324mm	SOF4324CNR	106.65
325-424mm	SOF4424CNR	127.60
425-524mm	SOF4524CNR	146.41

SOF4: 4 BENDS LOOSE UNION CLIP



75-124mm	SOF4124UC	16.10
125-224mm	SOF4224UC	17.05
225-324mm	SOF4324UC	18.01
325-424mm	SOF4424UC	18.91
425-524mm	SOF4524UC	19.95

DELIVERY in 10-15 Days - We will contact you to confirm exact width of 'Dimension A', the standard RAL colour, and the 'degree' of any angles you have ordered

THE UK'S LEADING ONLINE RETAILER
& LARGEST STOCKIST OF METAL
RAINWATER SYSTEMS TO THE TRADE

THE HOME OF METAL GUTTERING



CAST IRON



Heritage Cast
ALUMINIUM



STEEL



COPPER



Installation Guide

Skyline Typical Fascia/ Soffit jointing method:

Obtain true line and level for the carcassing/support structure. This may be timber work, galvanized steelwork or diaphragm brackets. It may be necessary to provide packing on uneven fixing substrates. Fix material to support structure using suitable fixings e.g. Use touch up paint on external screw heads as required. Or obtain colour coated headed screws in the chosen colour.

Fixing to timber:

Use number no12 x 38mm Roundhead woodscrews good quality sherardized / cadmium plated screws or 4.9 to 5.5 x 35mm stainless-steel fixings with washer through slotted holes (made on site minimum 11x7mm or oversized 8mm diameter hole) this to allow for expansion to take place. Generally. Fix at maximum 600mm centres to sub straight.

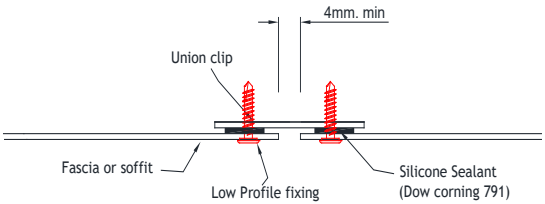
Fixing galvanized steelwork carcassing:

Use 4.8 to 5.5 x 25mm stainless-steel low-profile self-drilling fastener/screws with washer, through slotted holes (made on site minimum 11x7mm or oversized 8mm diameter hole), this to allow for expansion to take place. Fix at maximum 600mm centres to sub straight.

Jointing method:

Use Alumasc fast drying solvent cleaner with a clean cloth and wipe component ends to ensure product is free of debris, grease and any residue. Repeat the above procedure to the union clip and apply 2 no. 6mm beads of low modulus Dow Corning 791 silicone sealant (use colour matching if possible). Fit the next fascia or soffit length over the union and compress lightly together, silicone sealant will be displaced at this point, clean off as required. Leave minimum 4mm gap for expansion to take place. Use self-tapping screws and washers (Minimum 2 per side of joint - it may be necessary to add additional fixings on large or more complex fascia / soffit). Do not over tighten, as this will displace the silicone and could distort of the joint and prevent expansion of the products.

TYPICAL FASCIA/SOFFIT JOINT (ALUMINIUM)



SOFFIT



NEXT DAY DELIVERY
In 2 Sizes in Anthracite Grey



ALUMINIUM COPING

SKYLINE®
FASCIA SOFFIT COPINGS

Benefits of Aluminium Coping

- Lightweight, durable and non-corrodible – Low maintenance
- Easy to handle and fix
- Life expectancy of 40 years in rural/suburban areas and up to 25 years in industrial/marine areas
- PLUS Aluminium is 100% recyclable at end of life.

Benefits of Skyline Aluminium Coping

- UK manufactured from high quality BBA approved polyester coated aluminium. All processes controlled under ISO9001 & ISO14001 Quality and Environmental Management Systems
- Hidden strap fixing method offers weather-proof covering that allows ventilation over the top of the wall. No fixings pass through the coping, there's no penetration of the coping, and clean lines are maintained on the surface.

SKYLINE | STANDARD ALUMINIUM COPING

Wall Size Range	Code	£
3m LENGTH (includes 2no. fixing straps)		



241-300mm	SL30_3M_7016	190.56
301-360mm	SL36_3M_7016	208.89

UPSTAND (includes 1no. fixing strap)		
--------------------------------------	--	--



241-300mm	SL30_US_7016	96.04
301-360mm	SL36_US_7016	98.87

STOPEND (includes 1no. fixing strap)		
--------------------------------------	--	--



241-300mm	SL30_CS_7016	96.04
301-360mm	SL36_CS_7016	98.87

The 2 sizes: SL30 & SL36

- SL30: The 362mm Aluminium Coping - Suitable for 241-300mm wide walls
- SL36: The 422mm Aluminium Coping - Suitable for 301-360mm wide walls

Both NOW stocked in RAL 7016 Anthracite Grey FOR NEXT DAY DELIVERY.

Wall Size Range	Code	£
90 DEGREE ANGLE (includes 1.5no. fixing straps)		



241-300mm	SL30_90_7016	124.82
301-360mm	SL36_90_7016	134.73

135 DEGREE ANGLE (includes 1.5no. fixing straps)		
--	--	--



241-300mm	SL30_135_7016	124.82
301-360mm	SL36_135_7016	134.73

T-JUNCTION (includes 2no. fixing straps)		
--	--	--



241-300mm	SL30_TJ_7016	167.94
301-360mm	SL36_TJ_7016	178.28

LOOSE FIXING STRAPS		
---------------------	--	--



241-300mm	SL30_FS_7016	17.36
301-360mm	SL36_FS_7016	18.83

COPING



**DELIVERY
IN 7-10 DAYS**
26 STANDARD RAL COLOURS



We will contact you by return (Mon-Fri 8am-5pm) to confirm the following;

- The standard RAL colour you require – choose from 26 Standard RAL colours. (Other BS or RAL colours available to 'special order' but may mean an additional surcharge and a longer lead time)



Benefits of Aluminium

- UK manufactured. All processes controlled under ISO9001 & ISO14001 Quality and Environmental Management Systems
- Lightweight, durable and non-corrodible – Low maintenance
- Easy to handle and fix
- Life expectancy of 40 years in rural/suburban areas and up to 25 years in industrial/marine areas
- PLUS Aluminium is 100% recyclable at end of life.

The Skyline aluminium coping system has a hidden strap fixing method (the fixing strap comes with an integral EPDM rubber seal) which avoids penetration of the capping, resulting in a weatherproof covering, whilst allowing ventilation over the top of the wall.

- Equally suited to retrofit and new build
- Fabricated fittings are mitred, welded beautifully for a smooth finish on the front face
- Typically fixing can be carried out from the roof so no external access is required.

See the manufacturer's standard RAL colours listed below. Contact us on 0800 644 44 26 to request a free colour swatch.

Colour Options

RAL 1011M	Brown Beige		RAL 7015M	Slate Grey	
RAL 1013M	Pearl White		RAL 7016M	Anthracite Grey	
RAL 1021M	Cadmium Yellow		RAL 7024M	Graphite Grey	
RAL 2002M	Vermilion		RAL 7036M	Platinum Grey	
RAL 3003M	Ruby Red		RAL 7037M	Dusty Grey	
RAL 3005M	Wine Red		RAL 7038M	Agate Grey	
RAL 5003M	Sapphire Blue		RAL 8017M	Chocolate Brown	
RAL 5010M	Flower Blue		RAL 8019M	Grey Brown	
RAL 6005M	Moss Green		RAL 9006M	Metallic Silver	
RAL 6018M	Yellow Green		RAL 9006G	Metallic Silver	
RAL 7005M	Mouse Grey		RAL 9016M	White	
RAL 7006M	Beige Grey		RAL 9017M	Black	
RAL 7012M	Basalt Grey				

Colours are reproduced for general guidance only. For exact colour and finish references please contact Rainclear for colour swatch samples and for further information.



COPING



Size Range	Code	£
------------	------	---

3m LENGTH (includes 2no. fixing straps)

N.B. Two straps supplied with each length - req at 1.5m centres



One of 26 Standard RAL colours

91-120mm	SL12_3MPPC	116.51
121-180mm	SL18_3MPPC	131.69
181-240mm	SL24_3MPPC	150.61
241-300mm	SL30_3MPPC	165.71
301-360mm	SL36_3MPPC	181.64
361-420mm	SL42_3MPPC	196.87
91-120mm	SL48_3MPPC	283.14
121-180mm	SL54_3MPPC	305.67
181-240mm	SL60_3MPPC	457.61
241-300mm	SL66_3MPPC	492.04
301-360mm	SL72_3MPPC	521.79
361-420mm	SL78_3MPPC	551.08
781-840mm	SL84_3MPPC	583.60
841-900mm	SL90_3MPPC	617.93
901-960mm	SL96_3MPPC	647.74

Size Range	Code	£
------------	------	---

UPSTAND

N.B. One full strap supplied with each Upstand



One of 26 Standard RAL colours

91-120mm	SL12_USPPC	76.74
121-180mm	SL18_USPPC	78.89
181-240mm	SL24_USPPC	81.25
241-300mm	SL30_USPPC	83.51
301-360mm	SL36_USPPC	85.97
361-420mm	SL42_USPPC	88.30
421-480mm	SL48_USPPC	96.11
481-540mm	SL54_USPPC	98.82
541-600mm	SL60_USPPC	142.41
601-660mm	SL66_USPPC	146.51
661-720mm	SL72_USPPC	150.62
721-780mm	SL78_USPPC	154.36
781-840mm	SL84_USPPC	161.24
841-900mm	SL90_USPPC	165.11
901-960mm	SL96_USPPC	169.24

LOOSE UNIVERSAL HALF STRAP	One Size	SL_COP_UNI_HSPPC	5.36
----------------------------	----------	------------------	------



Size Range	Code	£
------------	------	---

STOPEND

N.B. One full strap supplied with each Stop End



One of 26 Standard RAL colours

91-120mm	SL12_CSPPC	76.74
121-180mm	SL18_CSPPC	78.89
181-240mm	SL24_CSPPC	81.25
241-300mm	SL30_CSPPC	83.51
301-360mm	SL36_CSPPC	85.97
361-420mm	SL42_CSPPC	88.30
421-480mm	SL48_CSPPC	96.11
481-540mm	SL54_CSPPC	98.82
541-600mm	SL60_CSPPC	142.41
601-660mm	SL66_CSPPC	146.51
661-720mm	SL72_CSPPC	150.62
721-780mm	SL78_CSPPC	154.33
781-840mm	SL84_CSPPC	161.24
841-900mm	SL90_CSPPC	165.11
901-960mm	SL96_CSPPC	169.24

Size Range	Code	£
------------	------	---

90 DEGREE ANGLE (includes 1.5no. fixing straps)

N.B. One full and one half strap supplied with each 90° angle



One of 26 Standard RAL colours

91-120mm	SL12_90PPC	83.56
121-180mm	SL18_90PPC	93.43
181-240mm	SL24_90PPC	100.61
241-300mm	SL30_90PPC	108.55
301-360mm	SL36_90PPC	117.16
361-420mm	SL42_90PPC	130.08
421-480mm	SL48_90PPC	162.57
481-540mm	SL54_90PPC	176.74
541-600mm	SL60_90PPC	269.20
601-660mm	SL66_90PPC	297.14
661-720mm	SL72_90PPC	321.65
721-780mm	SL78_90PPC	346.96
781-840mm	SL84_90PPC	381.66
841-900mm	SL90_90PPC	410.40
901-960mm	SL96_90PPC	438.30

DELIVERY in 15 Days
We will contact you to confirm the standard RAL colour you require

COPING

Size Range	Code	£
135 DEGREE ANGLE (includes 1.5no. fixing straps)		

N.B. One full and one half strap supplied with each 135° angle



One of 26 Standard RAL colours 

91-120mm	SL12_135PPC	83.56
121-180mm	SL18_135PPC	93.43
181-240mm	SL24_135PPC	100.61
241-300mm	SL30_135PPC	108.55
301-360mm	SL36_135PPC	117.16
361-420mm	SL42_135PPC	130.08
421-480mm	SL48_135PPC	162.57
481-540mm	SL54_135PPC	176.74
541-600mm	SL60_135PPC	269.20
601-660mm	SL66_135PPC	297.14
661-720mm	SL72_135PPC	321.65
721-780mm	SL78_135PPC	346.96
781-840mm	SL84_135PPC	381.66
841-900mm	SL90_135PPC	410.40
901-960mm	SL96_135PPC	438.30

Size Range	Code	£
T- JUNCTION		

N.B. Two straps supplied with each junction



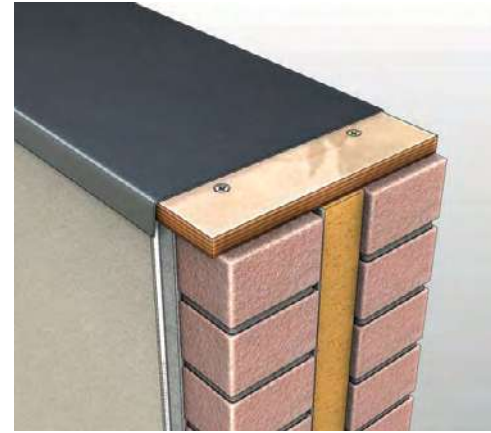
One of 26 Standard RAL colours 

91-120mm	SL12_TJPPC	120.87
121-180mm	SL18_TJPPC	130.61
181-240mm	SL24_TJPPC	138.01
241-300mm	SL30_TJPPC	146.05
301-360mm	SL36_TJPPC	155.03
361-420mm	SL42_TJPPC	167.97
421-480mm	SL48_TJPPC	200.62
481-540mm	SL54_TJPPC	215.16
541-600mm	SL60_TJPPC	280.89
601-660mm	SL66_TJPPC	301.32
661-720mm	SL72_TJPPC	323.25
721-780mm	SL78_TJPPC	351.40
781-840mm	SL84_TJPPC	376.43
841-900mm	SL90_TJPPC	402.27
901-960mm	SL96_TJPPC	437.42

DELIVERY in 15 Days

We will contact you to confirm the standard RAL colour you require

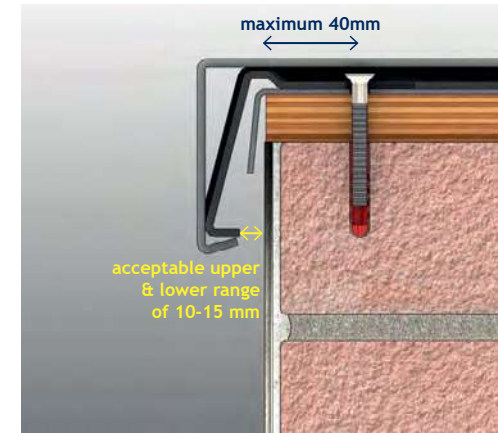
Skyline wall copings are pressed formed rectangular profiles with acute angled front and rear folded edges which clip over fixing straps and are secured to the top of a wall section. Coping lengths are butt jointed over the fixing straps and compresses an EPDM seal for weathered protection and decorative finish.



1. Ensure minimum 18mm marine ply and weatherproof membrane is fitted to the structure before commencing with the installation (all supplied by others).



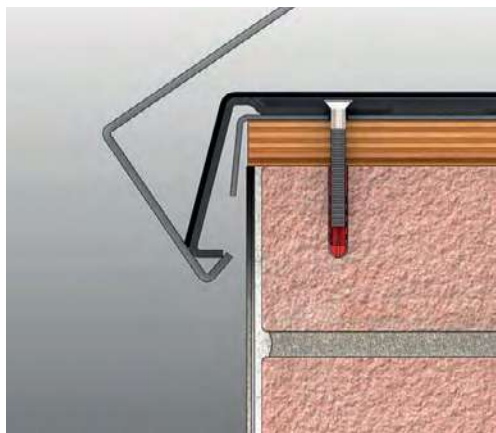
2. Position bracket with EPDM seal centrally over the wall. Maintain a minimum 10mm gap from the bracket inside return edge to the external wall surface finish. Illustration shows a render finish option which may be applied after installation of coping.



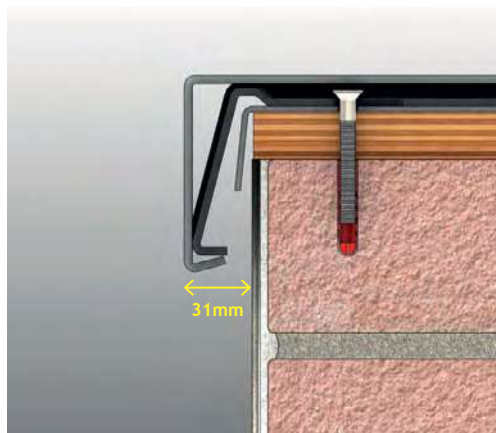
3. Secure brackets with minimum size No.12 x 50mm sized screws using the outer slots in the fixing straps at 1.5m maximum centres or as recommended based on wind uplift calculations or coping size. Additional screw fixings will be required on wider fixing straps. Maximum 40mm from fixing screw centre to external wall finishing surface.



4. Always secure additional half brackets for corners and piers with the first fixing point with a maximum of 40mm from the external wall finish.



5. Locate the corner, and clip the coping edge angle under the bracket from the front whilst slowly pressing the coping section into place to compress the EPDM seal on the brackets. This also applies to a pier and stopends.



6. Ensure 31mm dimension is maintained from external wall surface finish to external face of coping. On deeper edged coping that exceeds the normal 75mm leg, it may be necessary to use a small self tapper on the coping return to secure it fully.



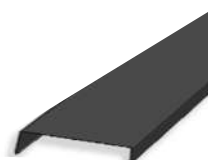
7. Starting at a corner working to your next junction, the last section of coping can be cut down on site to accommodate any variant dimensions between corner, pier and stop ends. Use touch up paint on cut edges. Contractor to use correct metal work tools, such as a circular saw.



8. Maintain 3-4mm expansion gap at all joints.



Wall Size Range	Code	£
3m LENGTH (includes 2no. fixing straps)		



241-300mm	SC30_3M_7016	232.50
301-360mm	SC36_3M_7016	254.87

UPSTAND (Left-Hand or Right-Hand)



241-300mm	SC30_R/LHUS_7016	117.17
301-360mm	SC36_R/LHUS_7016	120.66

STOPEND (includes 1no. fixing strap)



241-300mm	SC30_R/LHCS_7016	117.17
301-360mm	SC36_R/LHCS_7016	120.66

The 2 sizes: SC30 & SC36

- SC30: The 362mm Aluminium Coping - Suitable for 241-300mm wide walls
- SC36: The 422mm Aluminium Coping - Suitable for 301-360mm wide walls

Both NOW stocked in RAL 7016 Anthracite Grey FOR NEXT DAY DELIVERY.

Wall Size Range	Code	£
90 DEGREE ANGLE EXTERNAL/INTERNAL (includes 1.5no. fixing straps)		



241-300mm	SC30_E/IA90PPC	152.30
301-360mm	SC36_E/IA90PPC	164.40

35 DEGREE ANGLE EXTERNAL/INTERNAL (includes 1.5no. fixing straps)



241-300mm	SC30_E/IA135PPC	152.30
301-360mm	SC36_E/IA135PPC	164.40

JUNCTION (LEFT-HAND, RIGHT-HAND OR FLAT) (includes 2no. fixing straps)



241-300mm	SC30_R/LHTJ_7016	204.92
301-360mm	SC36_R/LHTJ_7016	217.52

FIXING STRAPS

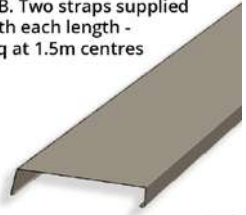


241-300mm	SC30_FS_7016	21.21
301-360mm	SC36_FS_7016	23.01



Size Range	Code	£
3m LENGTH (includes 2no. fixing straps)		

N.B. Two straps supplied with each length - req at 1.5m centres

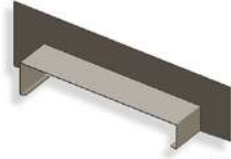


One of 26 Standard RAL colours

91-120mm	SC12_3MPPC	127.96
121-150mm	SC15_3MPPC	136.26
151-180mm	SC18_3MPPC	144.59
181-210mm	SC21_3MPPC	154.98
211-240mm	SC24_3MPPC	165.37
241-270mm	SC27_3MPPC	173.66
271-300mm	SC30_3MPPC	202.17
301-330mm	SC33_3MPPC	190.71
331-360mm	SC36_3MPPC	221.61
361-390mm	SC39_3MPPC	207.82
391-420mm	SC42_3MPPC	216.19
421-450mm	SC45_3MPPC	263.54
451-480mm	SC48_3MPPC	310.92
481-510mm	SC51_3MPPC	323.29
511-540m	SC54_3MPPC	335.65

Size Range	Code	£
UPSTAND (LEFT HAND OR RIGHT HAND)		

N.B. One full strap supplied with each Upstand



One of 26 Standard RAL colours

91-120mm	SC12_R/LHUSPPC	84.28
121-150mm	SC15_R/LHUSPPC	85.45
151-180mm	SC18_R/LHUSPPC	86.64
181-210mm	SC21_R/LHUSPPC	87.93
211-240mm	SC24_R/LHUSPPC	89.23
241-270mm	SC27_R/LHUSPPC	90.46
271-300mm	SC30_R/LHUSPPC	101.88
301-330mm	SC33_R/LHUSPPC	93.04
331-360mm	SC36_R/LHUSPPC	104.91
361-390mm	SC39_R/LHUSPPC	95.67
391-420mm	SC42_R/LHUSPPC	96.96
421-450mm	SC45_R/LHUSPPC	101.24
451-480mm	SC48_R/LHUSPPC	105.53
481-510mm	SC51_R/LHUSPPC	107.02
511-540m	SC54_R/LHUSPPC	108.51



Size Range	Code	£
STOPEND (LEFT HAND OR RIGHT HAND)		

N.B. One full strap supplied with each Stop End



One of 26 Standard RAL colours

91-120mm	SC12_R/LHCSPPC	84.28
121-150mm	SC15_R/LHCSPPC	85.45
151-180mm	SC18_R/LHCSPPC	86.64
181-210mm	SC21_R/LHCSPPC	87.93
211-240mm	SC24_R/LHCSPPC	89.23
241-270mm	SC27_R/LHCSPPC	90.46
271-300mm	SC30_R/LHCSPPC	101.88
301-330mm	SC33_R/LHCSPPC	93.04
331-360mm	SC36_R/LHCSPPC	104.91
361-390mm	SC39_R/LHCSPPC	95.67
391-420mm	SC42_R/LHCSPPC	96.96
421-450mm	SC45_R/LHCSPPC	101.24
451-480mm	SC48_R/LHCSPPC	105.53
481-510mm	SC51_R/LHCSPPC	107.02
511-540m	SC54_R/LHCSPPC	108.51

Size Range	Code	£
90 DEGREE ANGLE (INTERNAL OR EXTERNAL)		

N.B. One full and one half strap supplied with each 90° angle



One of 26 Standard RAL colours

91-120mm	SC12_E/IA90PPC	91.77
121-150mm	SC15_E/IA90PPC	97.18
151-180mm	SC18_E/IA90PPC	102.60
181-210mm	SC21_E/IA90PPC	106.54
211-240mm	SC24_E/IA90PPC	110.47
241-270mm	SC27_E/IA90PPC	114.83
271-300mm	SC30_E/IA90PPC	132.41
301-330mm	SC33_E/IA90PPC	123.91
331-360mm	SC36_E/IA90PPC	142.95
361-390mm	SC39_E/IA90PPC	135.74
391-420mm	SC42_E/IA90PPC	142.84
421-450mm	SC45_E/IA90PPC	160.68
451-480mm	SC48_E/IA90PPC	178.52
481-510mm	SC51_E/IA90PPC	186.29
511-540m	SC54_E/IA90PPC	194.07

LOOSE UNIVERSAL HALF STRAP

One Size	SL_COP_UNI_HSPPC	9.28
----------	------------------	------

DELIVERY in 15 Days
We will contact you to confirm the standard RAL colour you require

SLOPING COPING

Size Range	Code	£
135 DEGREE ANGLE (INTERNAL OR EXTERNAL)		

N.B. One full and one half strap supplied with each 135° angle



One of 26 Standard RAL colours 

91-120mm	SC12_E/IA135PPC	91.77
121-150mm	SC15_E/IA135PPC	97.18
151-180mm	SC18_E/IA135PPC	102.60
181-210mm	SC21_E/IA135PPC	106.54
211-240mm	SC24_E/IA135PPC	110.47
241-270mm	SC27_E/IA135PPC	114.83
271-300mm	SC30_E/IA135PPC	132.41
301-330mm	SC33_E/IA135PPC	123.91
331-360mm	SC36_E/IA135PPC	142.95
361-390mm	SC39_E/IA135PPC	135.74
391-420mm	SC42_E/IA135PPC	142.84
421-450mm	SC45_E/IA135PPC	160.68
451-480mm	SC48_E/IA135PPC	178.52
481-510mm	SC51_E/IA135PPC	186.29
511-540m	SC54_E/IA135PPC	194.07

Size Range	Code	£
JUNCTION (LEFT-HAND, RIGHT-HAND OR FLAT)		

N.B. Two straps supplied with each Junction



One of 26 Standard RAL colours 

91-120mm	SC12_R/LHTJPPC	132.74
121-150mm	SC15_R/LHTJPPC	138.08
151-180mm	SC18_R/LHTJPPC	143.42
181-210mm	SC21_R/LHTJPPC	147.49
211-240mm	SC24_R/LHTJPPC	151.54
241-270mm	SC27_R/LHTJPPC	155.98
271-300mm	SC30_R/LHTJPPC	178.19
301-330mm	SC33_R/LHTJPPC	165.31
331-360mm	SC36_R/LHTJPPC	189.14
361-390mm	SC39_R/LHTJPPC	177.36
391-420mm	SC42_R/LHTJPPC	184.44
421-450mm	SC45_R/LHTJPPC	202.38
451-480mm	SC48_R/LHTJPPC	220.29
481-510mm	SC51_R/LHTJPPC	228.28
511-540m	SC54_R/LHTJPPC	236.24

DELIVERY in 15 Days

We will contact you to confirm the standard RAL colour you require

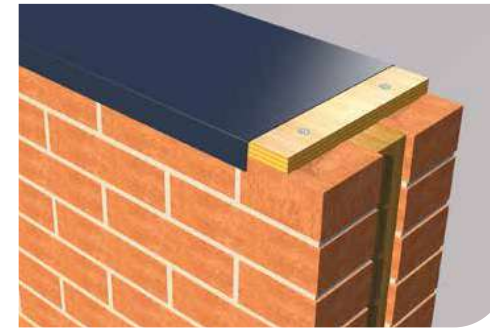


General

Ensure that the substrate is sound and secure. Any levelling and alignment of the background material should be done prior to installation of the coping system; this will help components align and fit properly during installation. Start by fixing corners and T-Junctions, aligning the front edge of the coping to give a straight line. This will ensure all joints line up correctly during installation.

Fixings

Screw fixings are not supplied. Only use high quality fixings and ensure fixings are suitable for the substrate. For advice, contact our Technical Service Team on 01536 383810.



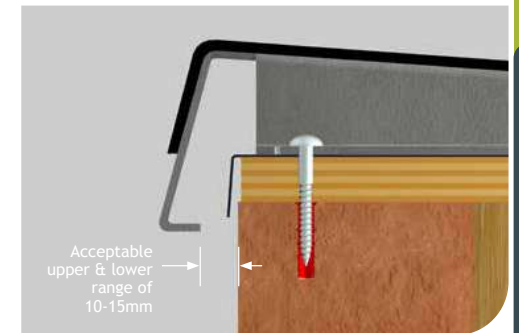
1. Ensure minimum 18mm marine ply and weatherproof membrane is fitted to the structure before commencing with the installation (all supplied by others).



2. Skyline Sloped Coping is manufactured with an integral 20mm fall. Always install with the fall sloping towards the roof area. This ensures that rainwater run-off will be directed back onto the roof area.



3. Position bracket with EPDM seal centrally over the wall. Maintain a minimum 10mm gap from the bracket inside return edge to the external wall surface finish (see Point 4 and also refer to Point 7). Brackets should be spaced at the correct centres according to the recommended number of brackets (please refer to Skyline Technical data for information).

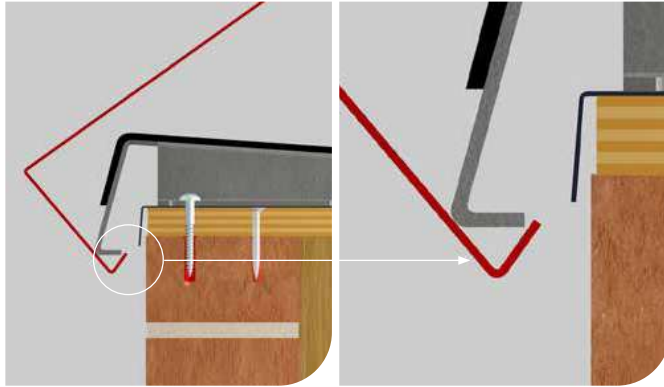


4. Secure coping bracket with high quality fixing (Minimum 50mm) appropriate for the substrate. The bracket has pre-drilled fixing holes which are provided as guidance only. Use the outermost fixing points to ensure maximum anchor point of the bracket to the wall. If fixings penetrate the masonry below, then ensure that the fixing is sufficiently back from the face to avoid damaging the masonry.

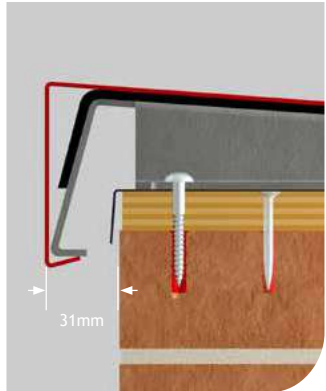
Note: The coping bracket should be installed at maximum 1.5m centres or as recommended based on wind uplift calculations or coping size. Additional screw fixings will be required on a wide wall coping.



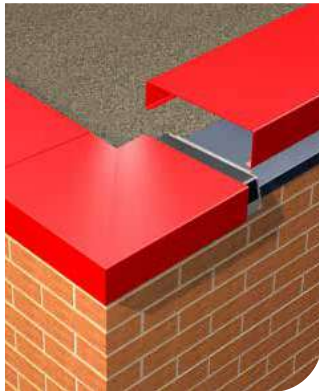
5. Always secure additional half brackets for corners and piers – the first fixing point with a maximum of 40mm from the external wall finish.



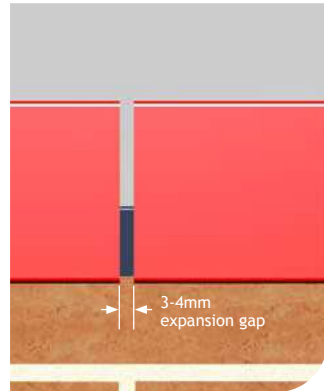
6. The coping simply pivots over the coping brackets and clips into position. First locate the front edge, and pivot over the bracket whilst slowly pressing the coping section into place to compress the EPDM seal on the brackets. Expect some resistance and apply consistent pressure and continue to press until it clips over the other edge of the bracket. The same method applies to Corners, T-Junctions and stopends.



7. Ensure 31mm dimension is maintained from external wall surface finish to external face of coping. On deeper edged coping that exceeds the normal 85mm leg, it may be necessary to use a small self-tapper on the coping return to secure it fully.



8. Start at a corner working to your next junction. The last section of coping can be cut down on site to accommodate any variant dimensions between corner, pier and stop ends. Use touch-up paint on cut edges. When cutting, make sure to use the correct metalwork tools to obtain a clean cut and dress any sharp burr edges.



9. Maintain a 3-4mm expansion gap at all joints.

THE HOME OF METAL GUTTERING

FASCIA

SOFFIT

COPING

SLOPING COPING

SKYLINE ALUMINIUM FASCIA, SOFFIT & COPING

Unit 34A
Techno Trading Estate
Ganton Way
Swindon
Wilts
SN2 8ES
T: 0800 644 44 26
E: sales@rainclear.co.uk
W: www.rainclear.co.uk

Apr2022 vs.4.0



Online ordering – pay securely by credit card or PayPal



Next day delivery on a huge choice of stocked items



Take-off service, quotes and technical advice



Unrivalled customer service