

Skyline Column Casings

Installation Guide

General

Aluminium Column Casings are suitable for fixing to both sectional steel and wood framing. Ensure column support framework is securely fixed and suitable to withstand the weight of the aluminium column casing. The support framework and mullions must be installed plumb and to the correct measurement to accommodate the column casings.

All support framework and mullions supplied by others.

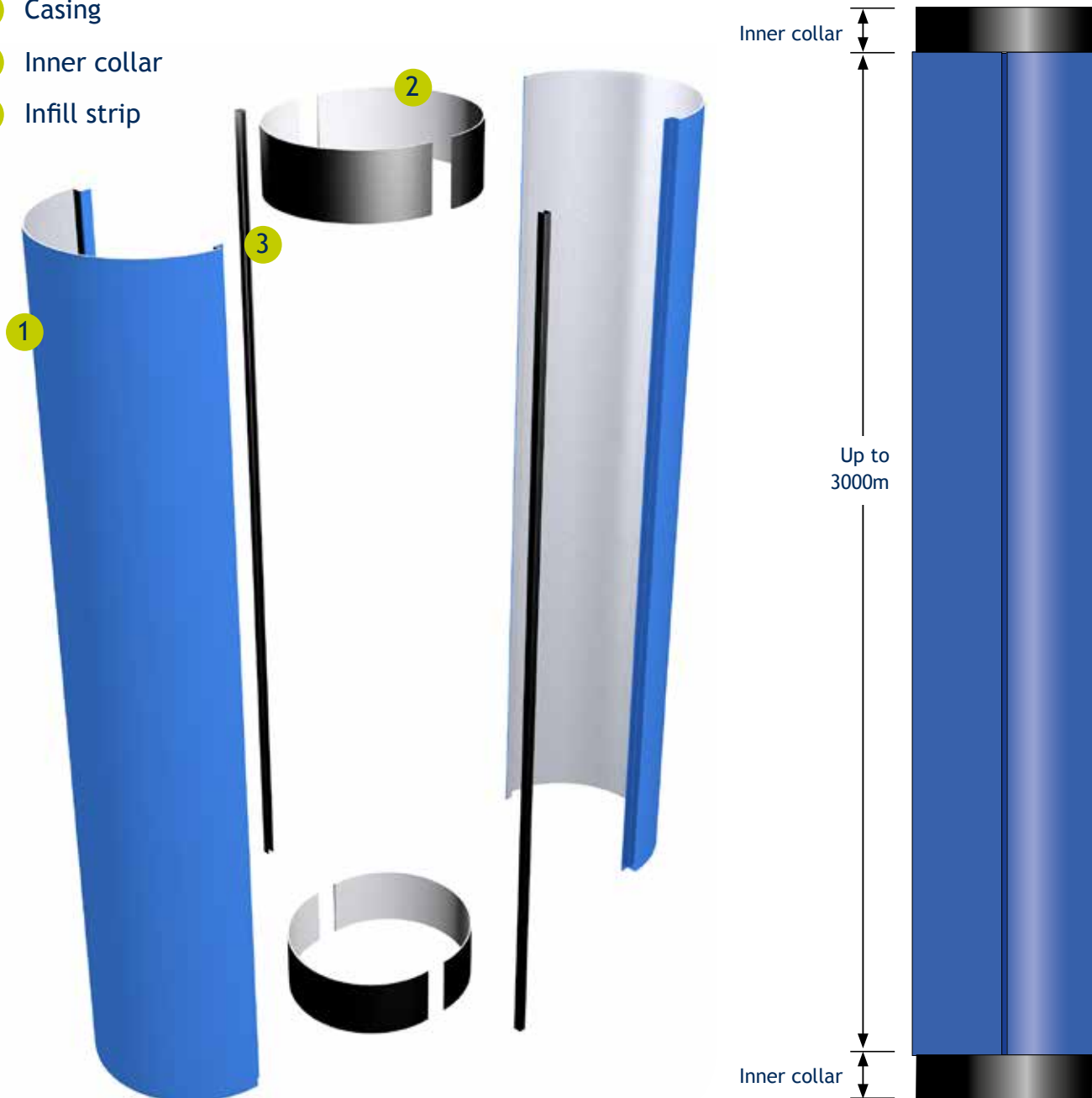
Fixings

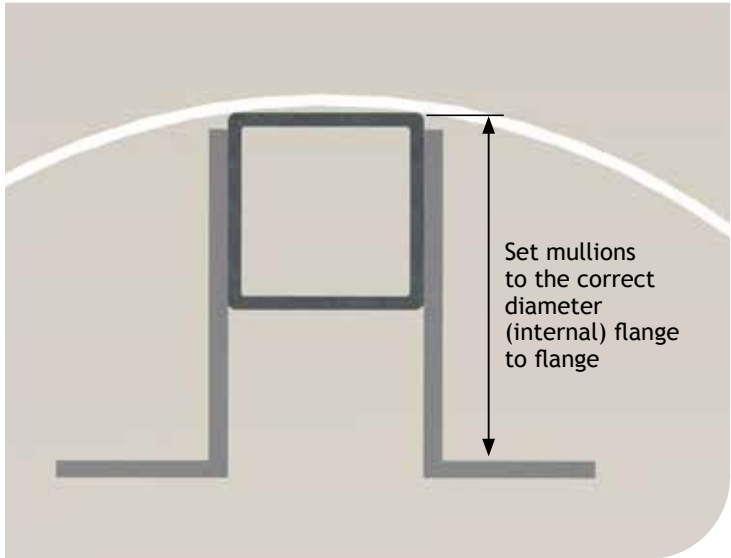
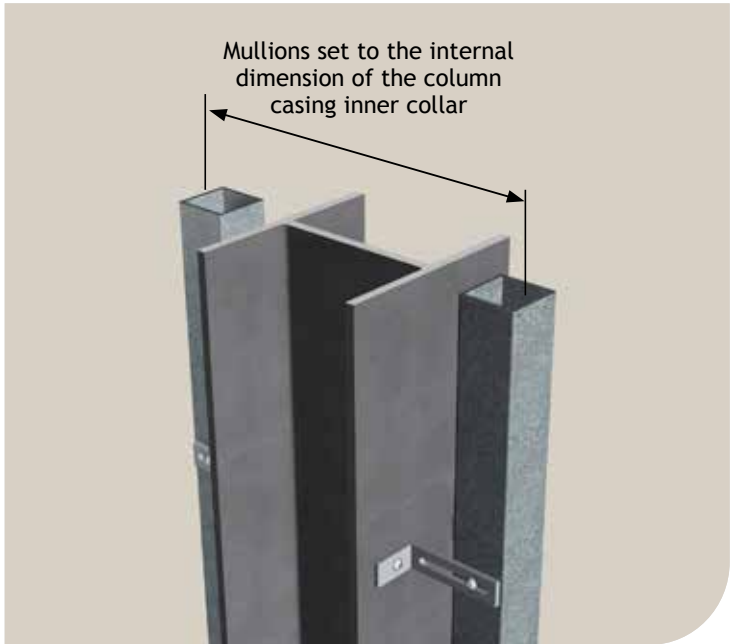
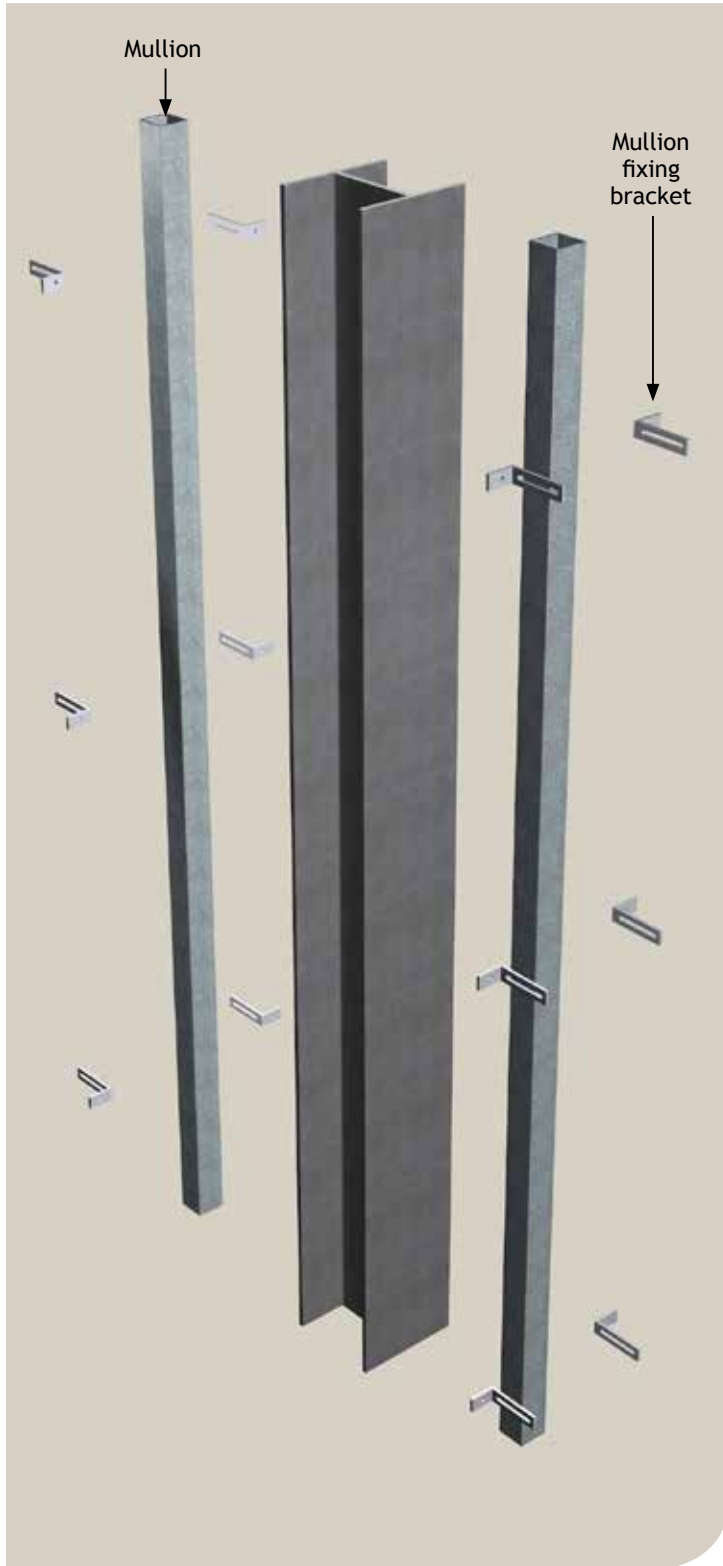
Screw fixings are not supplied. Only use high quality fixings and ensure fixings are suitable for the substrate. For advice, contact our Technical Service Team on 01536 383810



Components

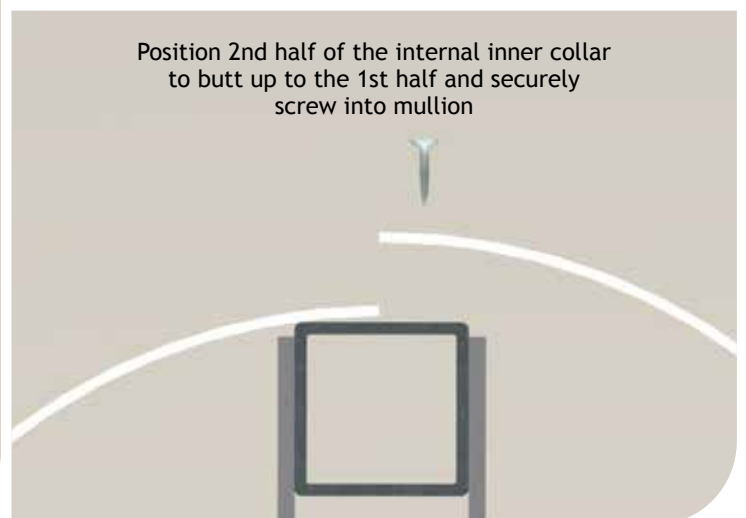
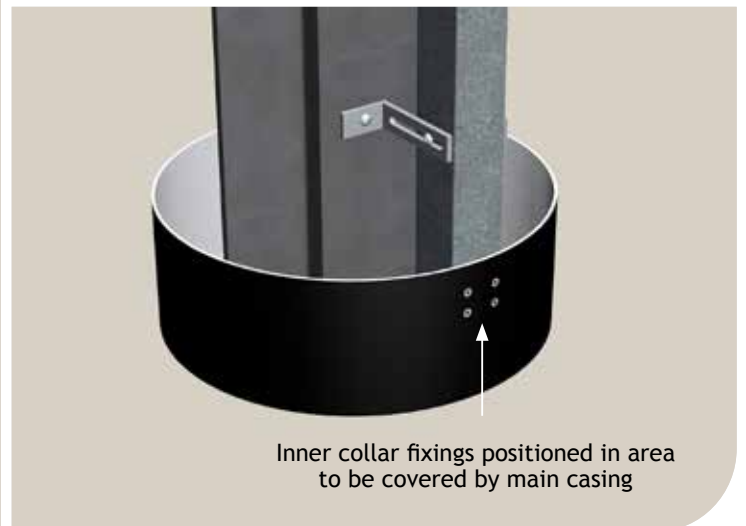
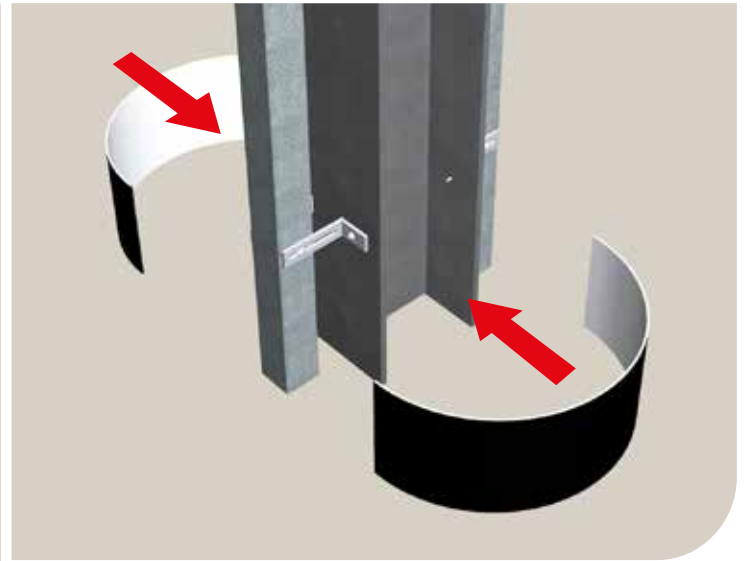
- 1 Casing
- 2 Inner collar
- 3 Infill strip



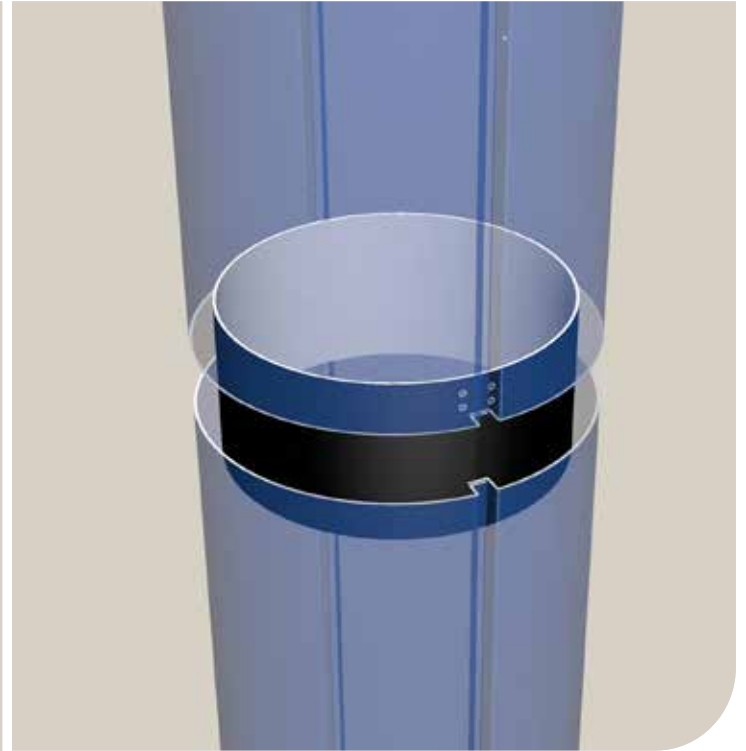
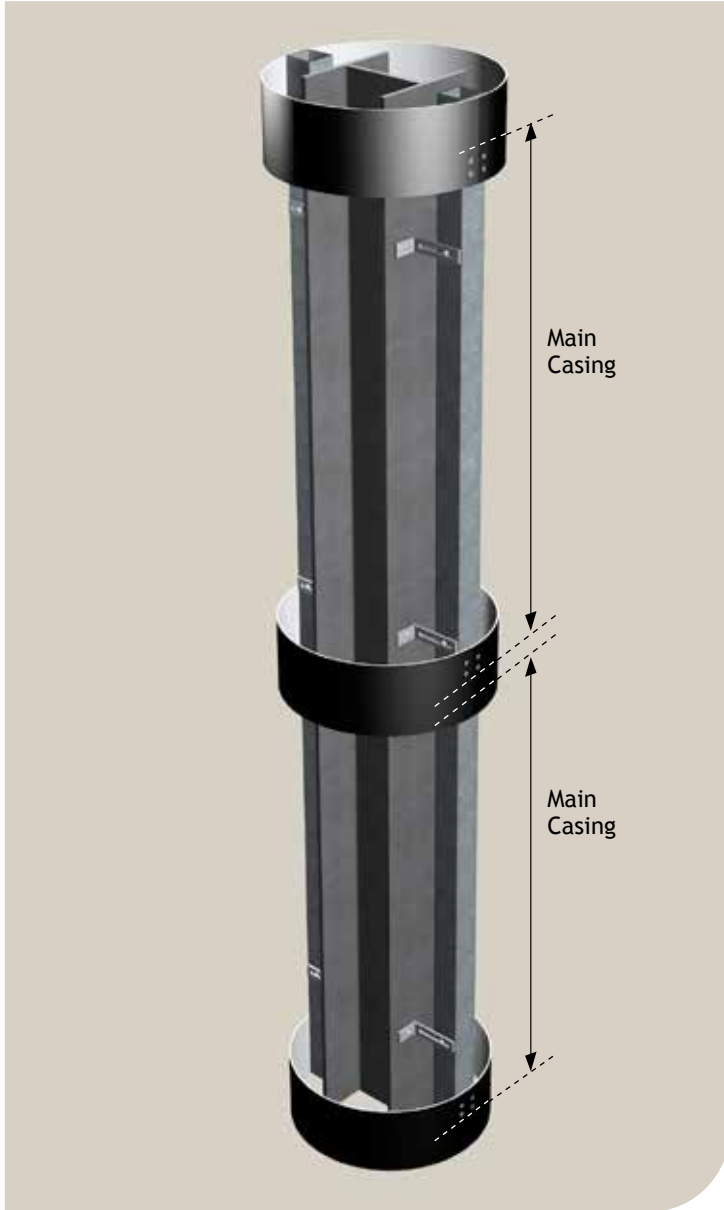


Code	Diameter	Mullion Dimension		Code	Square	Mullion Dimension	
		Inner collar	Column			Inner collar	Column
CC30	300mm	238mm	247mm	CS25	250x250mm	188mm	197mm
CC40	400mm	338mm	347mm	CS35	350x 350mm	288mm	297mm
CC50	500mm	438mm	447mm	CS45	450x 450mm	388mm	397mm
CC60	600mm	538mm	547mm	CS55	550x550mm	488mm	497mm
CC70	700mm	638mm	647mm	CS65	650x650mm	588mm	597mm
CC80	800mm	738mm	747mm	CS75	750x750mm	688mm	697mm
CC90	900mm	838mm	847mm	CS85	850x850mm	788mm	797mm
CC100	1000mm	938mm	947mm	CS100	1000x1000mm	938mm	947mm

- Securely install a supporting framework around the existing structure using timber or metal mullions running vertically up the joint line of the column Casing. It is important that the supporting mullions are installed at the correct width to correspond with the internal dimension of the column casing. These vary slightly for Column casings installed with or without top/bottom inner collar. Please refer to the above table.



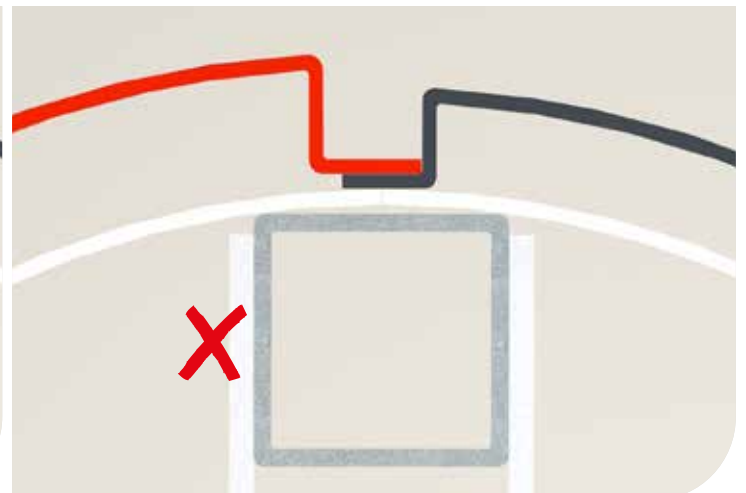
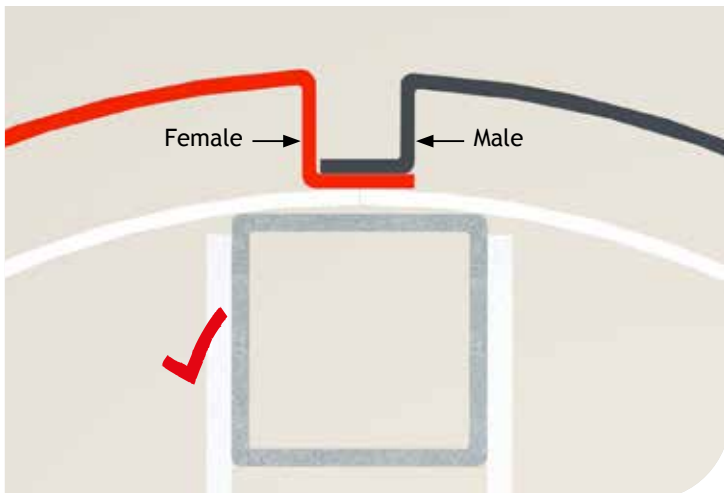
2. Mechanically fix inner collars to the aluminium (or timber) mullions, ensuring that fixings are positioned in such a way that they will be covered by the main column casing. Fixings should be countersunk flush to allow the main casing to fit over.



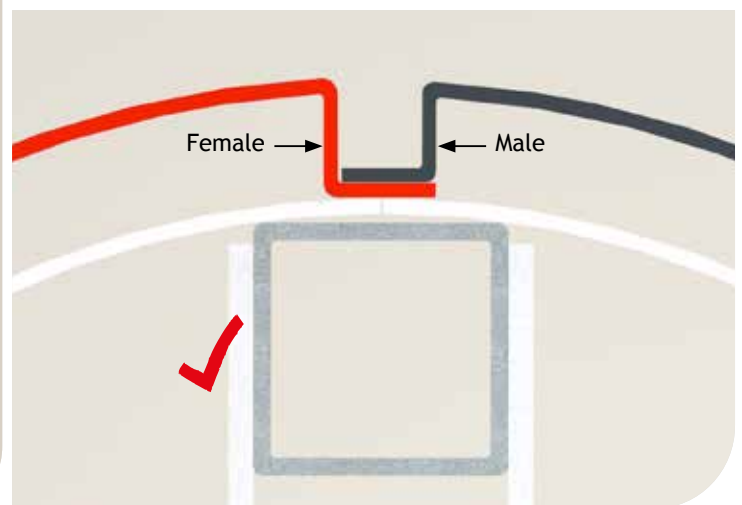
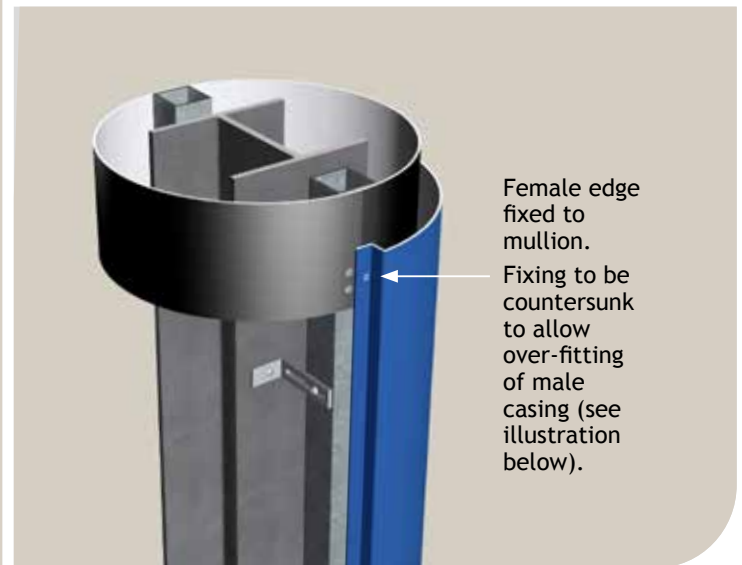
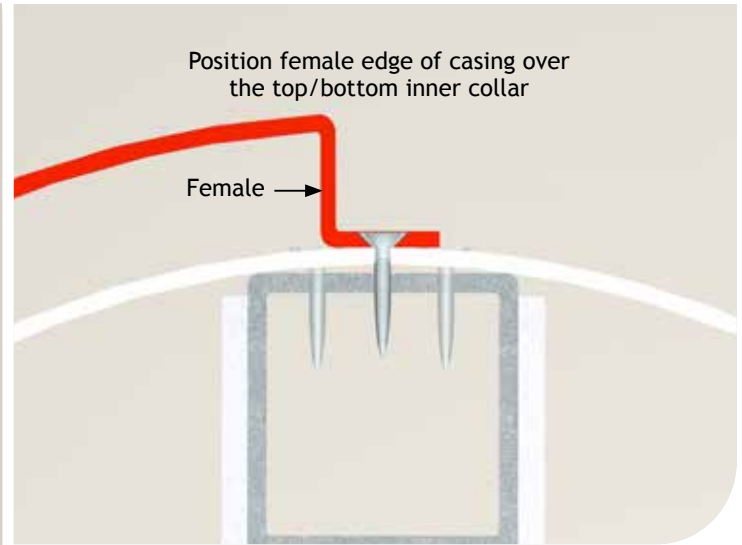
Note:

If the Column is over 3m in height or if there is an additional shadow feature in the column design then additional inner collars can be added at the joint.

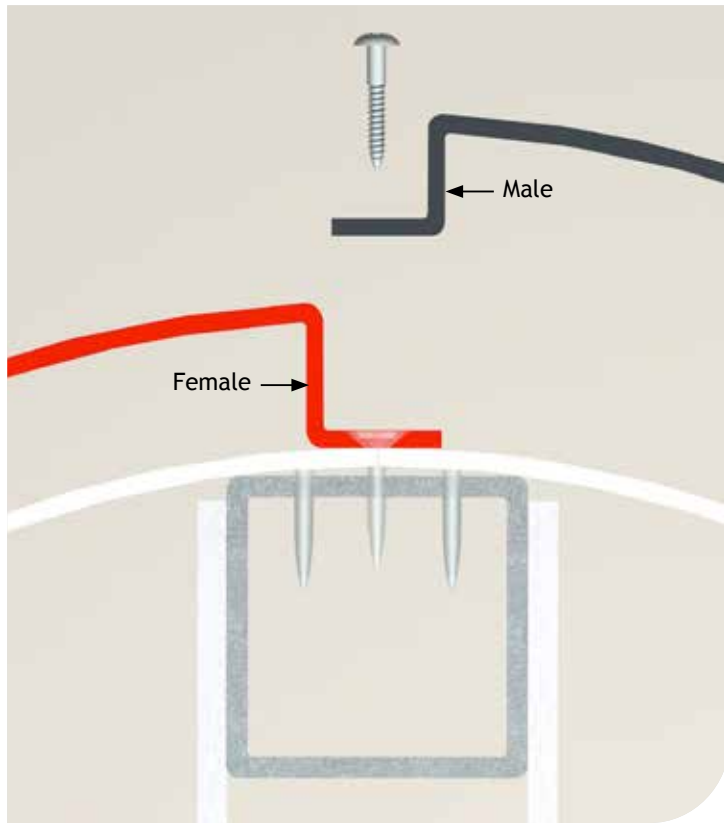
Note that fixings should position so that they are hidden by the main casing.



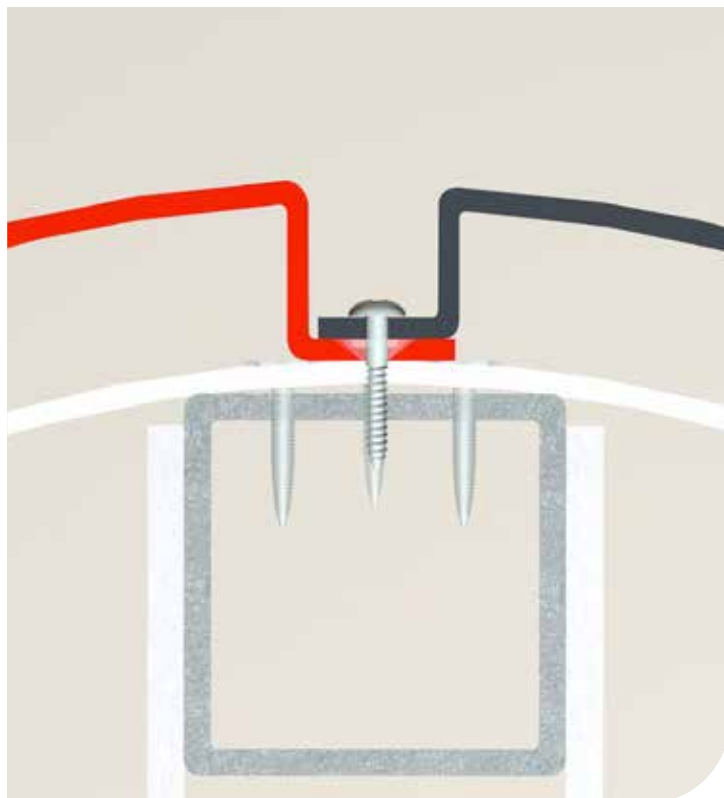
3. Before installing the main casing, it is important to note that the casing has a male and female connection and to ensure correct alignment these must be observed. It may be necessary to rotate one half top-to-bottom to achieve this as shown in the above illustration.



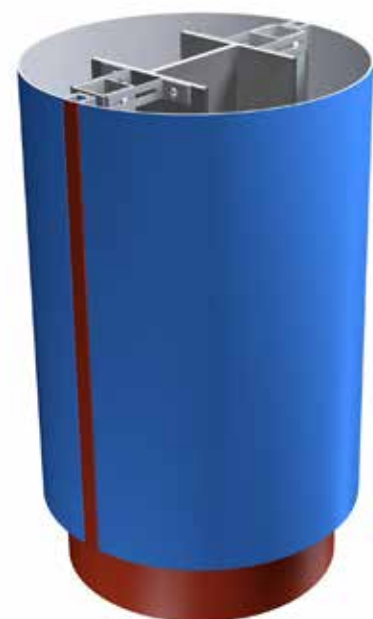
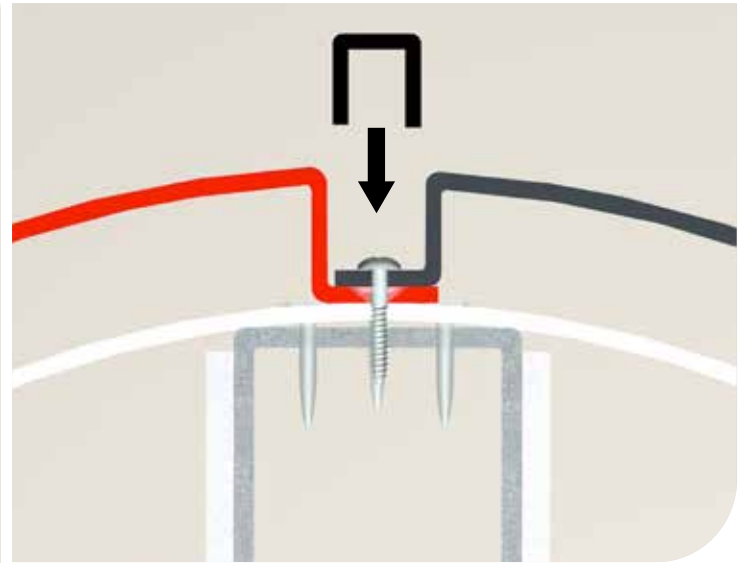
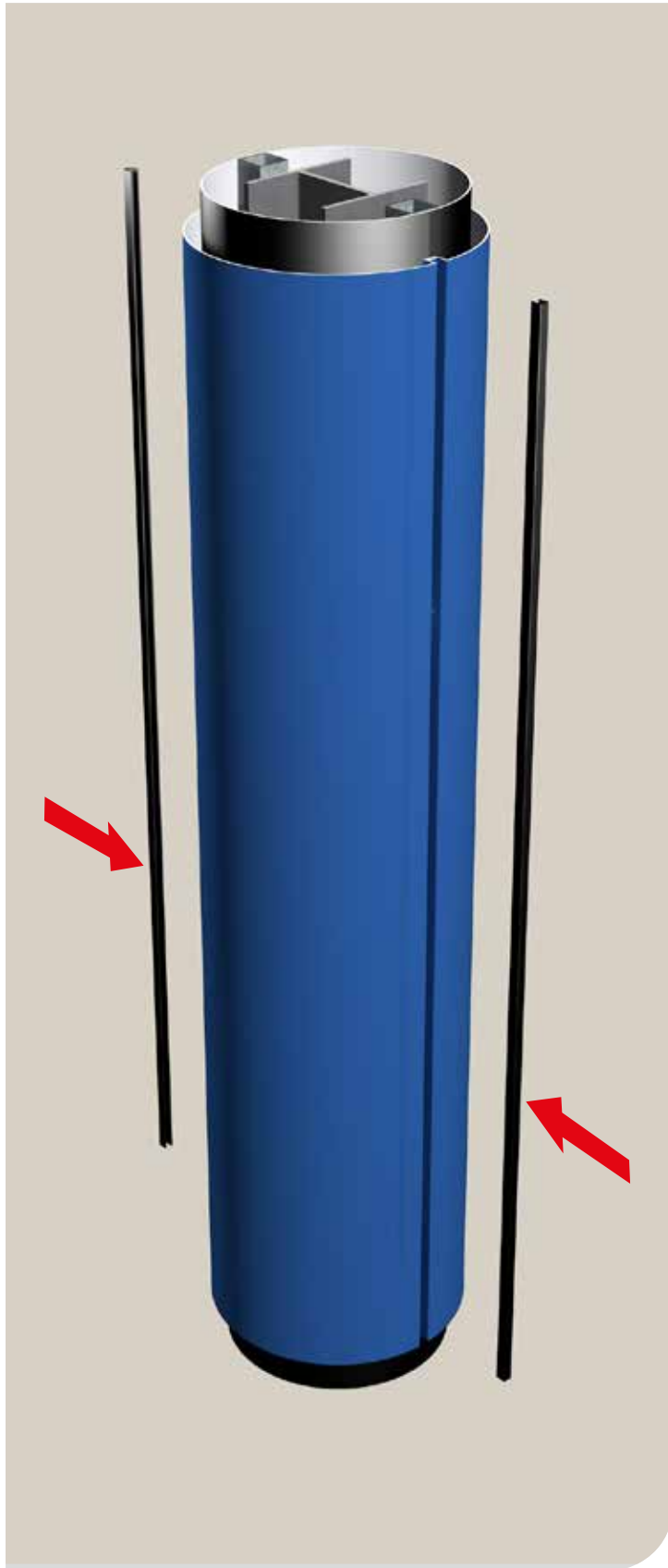
4. Using the mullion as a guide, starting with one half, locate the female edge and align vertically, ensuring the edge is plumb with the mullion. Place two countersunk fixings (top and bottom) to hold the half section temporarily in position. Use countersunk screws for this first section to accommodate the second section on top. Note: only fix one side for now (the female edge), do not fix the other side.



5. Take the other half section and marry up the male/female edges so that the column aligns correctly. Use a strap to hold sections together. Once in position, securely screw through female casing and mullion (avoid the same drilling position as the female section).



6. Check alignment and position, then mechanically fix through both halves into the mullion. Fixing at maximum 500mm centres recommended. Round head or hex head screws can be used at this stage as any fixing will be covered by the infill strip.



7. Insert the infill strip to complete the installation. Provided that the male/female end have aligned properly, then the infill strips should push in tight. We recommend that a bonded sealant is used to prevent tampering. For added security, use a small discreet self-tapping screw at the top and bottom.