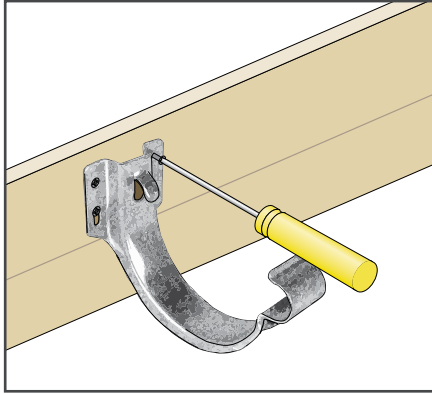


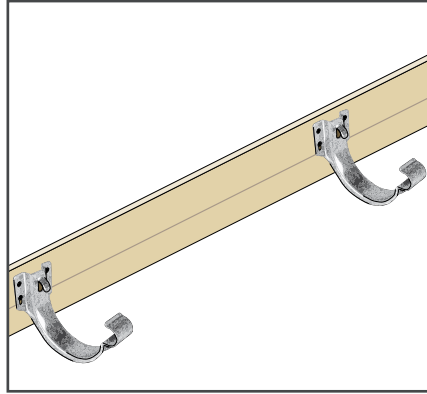


Infinity gutters are available in the half round profile in four sizes with a range of brackets to accommodate all types of eaves. The system is dry jointed without the need for additional silicone sealant.

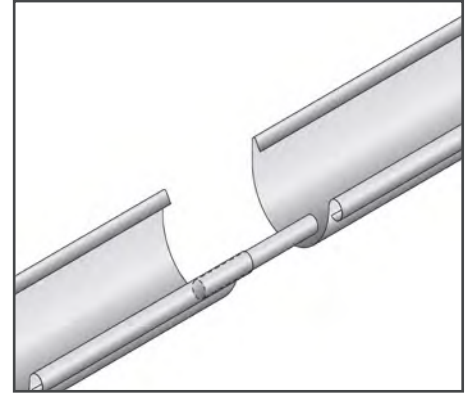
The gutter range can be connected to the steel pipework system and secured by standard pipe clips. The assembly and installation must be considered individually depending on the project, although general aspects of preparation are common to all as shown below.



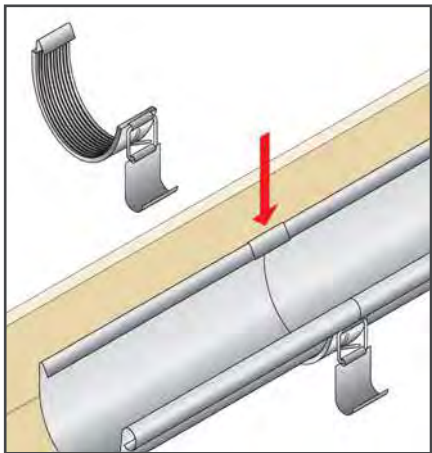
1. Generally position the fascia brackets at 915mm centres, using at least 3 brackets per gutter length. Use 2 screws on both the left and right fixing options (i.e. use 4 screws in total per bracket).



2. Use a string line to set out your fascia brackets along the gutter run allowing for a fall of 1:600 to 1:350 (max). (The system can be laid without a fall if you prefer)

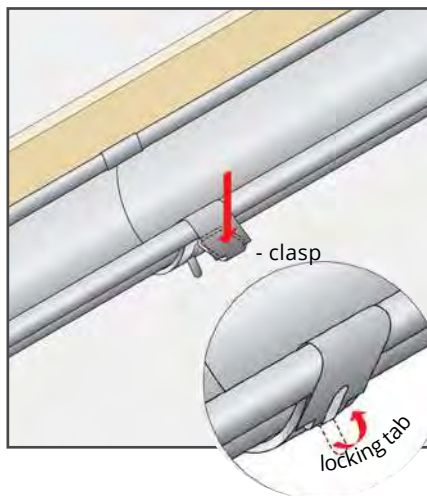


3. A bead connector (comes with the Union connector) is used to join two lengths of gutter. Insert the connector into the front roll of each gutter length. Allow for a 4mm expansion gap.



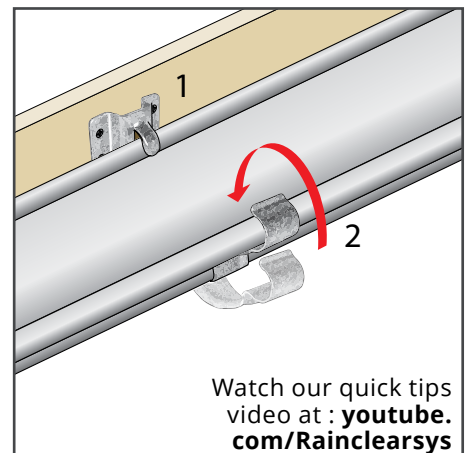
4. An EDPM rubber sealed union connector is used to connect the gutter lengths and angles together. Push open locking tab with thumb by peeling back rubber seal.

Locate the union connector over the rear edge of the gutter. Ensure rubber does not obstruct good fit.



5. Locate the clasp over the front roll edge of the gutter. Pull union tight to the gutter and push the clasp down to squeeze shut.

N.B. Fold the locking tab over and press flush to fully secure the clasp.



6. Locate the back of the fascia bracket over the rear edge of the gutter first, then pull the front of the fascia bracket up and over the front roll of the gutter. If you're finding this a bit of a struggle, use the bead connector (or other suitable tool) to open/raise the rear 'tab' of the fascia bracket a little.

Watch our quick tips video at : [youtube.com/Rainclearsys](https://www.youtube.com/Rainclearsys)

NB. The end/last fascia bracket on the gutter run should be placed 30 cm from the gutter end or corner. Gutter angles/corners are supported by two unions and don't require their own fascia bracket - this is sufficient.

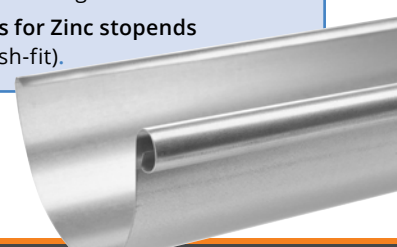
**N.B. Wear gloves when installing Plain Galvanised Steel:**

The Plain Galv will dull over time. Touching it without gloves breaks through the oily surface and starts the weathering process earlier in those areas. In a few months the 'weathering' will catch up all over.

**Quick tip videos: visit [youtube.com/Rainclearsys](https://www.youtube.com/Rainclearsys)**

Watch the 'Push-fit' stopends video: Simply match the stopend 'ear' to the gutter bead at the front, then 'push' the stopend on. The 'ear' at the rear will finish higher than the rear edge of the gutter.

Watch the 'Glue-in' or 'Seaming' methods for Zinc stopends (N.B. only the zinc offers alternatives to push-fit).



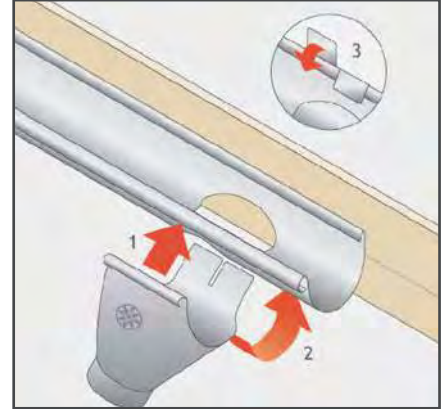
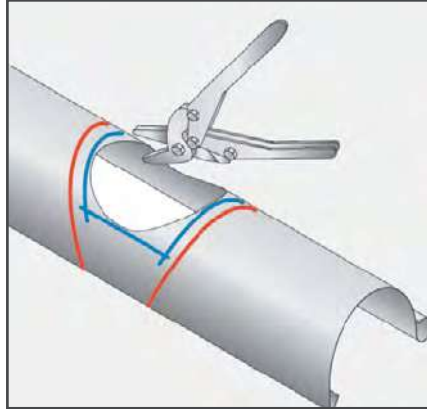
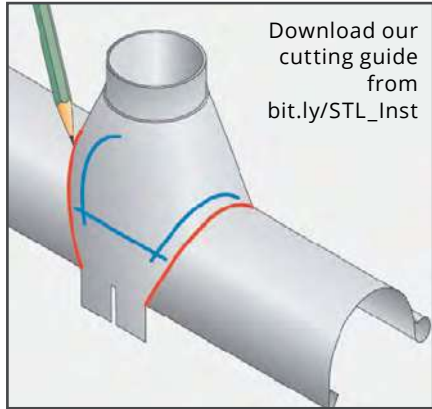
These instructions are applicable to Infinity Galvanised Steel, Colour Coated Galvanised Steel, Copper, Zinc & Stainless Steel



Infinity downpipes are available as a circular profile in 3 sizes with a range of pipe clips and fittings to accommodate all types of installation situations. The downpipes and offsets are push-fit with 'swaged' ends, again for fast and watertight installation.

The assembly and installation must be considered individually depending on the project, although general aspects of preparation are common to all as shown below.

**Wrap-around Outlet (★ alternatively use prefab outlets)**



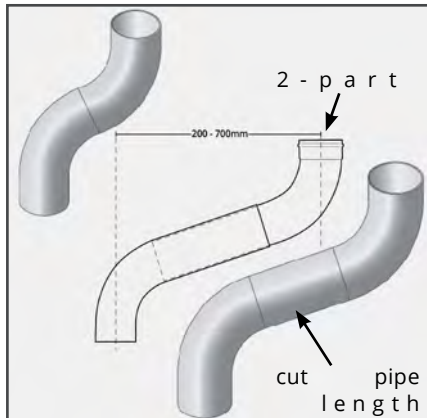
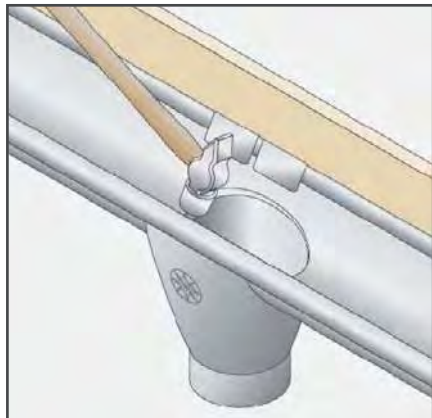
1. When installing a 'wrap around outlet' mark the desired location of the outlet by drawing a line either side of the outlet along its edge. Draw another line 20mm inside of the outer lines and join these inner lines together in an oval. This becomes the line to follow to cut out the hole.

2. Use a hacksaw to make an initial hole in the gutter, and then use a set of tin snips to cut out the inner hole that you have marked out.

3. Attach the outlet to the gutter and fold the rear tabs of the outlet over the rear edge of the gutter, making sure the outlet is aligned correctly to accept the downpipe.

**Offsets**

← 2no. 70° bends

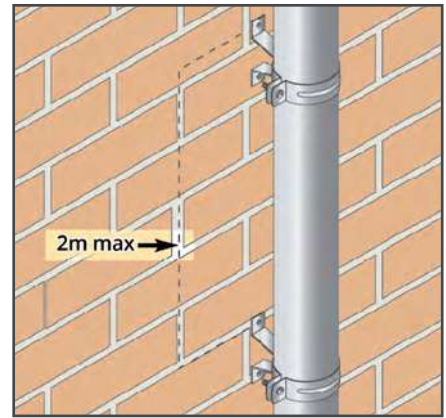


4. Tap the inner rough edges of the hole that was cut in the gutter, down into the outlet, to ensure a smooth flow of water.

5. Offsets are achieved using either the 60mm fixed offset, 2no. 70° bends, the 2-part variable offset (for up to 700mm) or, for larger projections, by inserting a cut pipe length between the two bends.

N.B. The 2no. bends do NOT require additional connectors when creating longer projections.

**Downpipes**



6. Downpipes should be installed using at least 2/no pipe clips per length. Mark out the clips locations and level with a spirit level or plumb line.

Choose either the standard Fixed Depth clip or M10 Boss Adjustable Depth downpipe clip (the standard one for the Copper system)

Open the tightening screw to allow the pipe to be inserted, close the clip and re-tighten, making sure not to over tighten and damage the downpipe.



★ alternatively choose to use prefabricated outlets  
don't forget to order additional gutter unions!

These instructions are applicable to Infinity Galvanised Steel, Colour Coated Galvanised Steel, Copper, Zinc & Stainless Steel



## STORAGE INSTRUCTIONS for Galvanised Steel



**If galvanised steel products are not stored correctly, they can be affected by the corrosion known as “white rust”.**

In accordance with industry best practice to avoid this we recommend that all reasonable precautions must be undertaken during transport and storage by customers to reduce the risk of white rust.

- All galvanised steel products should be stored inside or under cover, in a clean and dry environment, free from any chemical interaction (i.e. tree sap, sea spray, diametric metals).
- Rapid temperature changes lead to condensation, and as a consequence, to white rust on galvanised steel. So all galvanised steel products must be kept consistently above ‘dew point’ temperature and at as constant a temperature as reasonably possible.
- Galvanised steel products should always be kept on a wooden or metal pallet to avoid contact with the ground.

**It is best practice to avoid storing galvanised steel material outside. However, if this is unavoidable, the below precautions should be taken in addition to the above steps:**

- Build a simple frame around the galvanised steel products and cover them with a waterproof film, tarpaulin or similar cover.
- Allow for space between the galvanised steel products and the waterproof cover so that air can circulate freely.
- Store the galvanised steel products, free from contact with the ground, and at a slight incline so that rain can drain off the cover.
- Check the galvanised steel products storage area regularly to avoid a build up of damp, condensation or rainwater. Be aware that products stored at bottom, top or center of a pallet may become wet through condensation and that it may not be possible for this water to either evaporate or to ‘run off’.



Keep the period of outside storage as short as possible, especially during the summer, as elevated temperatures speed up the white rust process.

We can deliver next working day when ordered before Noon, so you can order ‘just-in-time’ to avoid the need to store your galvanised steel rainwater products at all.

CAST IRON

ALUMINIUM

STEEL

COPPER

ZINC



Online ordering -  
pay securely by credit card or PayPal



Next day delivery on a huge choice of  
stocked items



Take-off service, quotes and technical  
advice



Unrivalled customer service