



Aluminium Roof Outlets - Installation

Introduction

The Harmer Roof Aluminium range of outlets are designed for use with flat roof structures using either insitu cast concrete, timber or lightweight metal deck construction. Harmer Roof outlets are ideal for connection to continuous waterproofing systems using mastic asphalt, high performance built-up felt, wet-applied waterproofing systems and most types of single ply membranes.

The Harmer range of outlets incorporate all the key features inherent in the Harmer design approach to trouble-free flat roof drainage.

Components

Harmer aluminium roof outlets are made up of three base components:

Body

An outlet body with integral sump for controlled flow of water into the pipe.

Clamping Ring

The clamping ring is designed to compress the waterproof membrane against the outlet body to ensure total integrity of seal. The side fixing of the clamping ring and domical grate to the outlet body, for both AV and Detail outlet types, ensures that the throat is completely unobstructed to optimise flow and facilitate rodding.

Grate

Domical grates permit a free flow of rainwater while preventing loose chippings or debris from entering the outlet. Flat grates are used for trafficked and pedestrian areas.

An important feature of both the Domical and Flat grate fixture is that it can be removed without disturbing the clamping ring and waterproof seal of the roofing membrane.

Site detailing is taken care of with a range of accessories which are designed for use in different types of applications. Accessories include, Extension Pieces, Terrace Grates, Support Plates, Overflows and Downspouts.

Materials

All Harmer aluminium outlets are cast using LM6 aluminium silicon alloy. This grade of alloy exhibits excellent resistance to corrosion under both ordinary atmospheric and marine conditions making it suitable for most types of flat roof applications.

The aluminium alloy is light in weight and therefore easy to handle on site and during installation. The alloy is stronger and less brittle than cast iron. This lightness also makes aluminium outlets suitable for a wide range of lightweight roof decks.

For copper or lead-clad roofs, where there is a risk of bi-metallic corrosion with aluminium, the Harmer Roof Cast Iron range should be used.

Installation and Sitework

Each site application will require careful assessment by the installer.

Consideration must be given to the type of outlet, roof construction and pipework connection that is used. The general principal of installation is common to all Harmer outlets and the following guidance should be used.

- Threaded outlets using threaded spigot adaptors must be leak tested prior to fixing to the roof structure.
- Position outlet in the roof construction so that the roof substrate is flush with outlet rim and ensure that the roof has adequate falls to the outlet.
- Depending on the type of waterproofing membrane, degrease or prime the inside of the outlet body as per roof membrane manufacturer's recommendation i.e. for asphalt, prime the outlet with bitumen.
- Dress the waterproof membrane into the outlet making sure that adequate material is available for full surface contact between the clamping ring and the outlet body. Bolt down the clamping ring ensuring that equal pressure is applied to the bolts.
- Fix the Grate to the clamping ring using the bolts provided.
- Flood test the outlet in accordance with good practice and commission the rainwater system.

Typical application details are shown on pages 37-41. For further advice on installation, contact Harmer Technical Helpline 01536 383810.

Care and Maintenance

Maintenance is a key aspect of reliable, low cost operation.

Before completion of any drainage scheme:

- Check if overflows have been provided.
- Anticipate blockage - never have a single rainwater outlet.
- Once the rainwater outlets have been installed they should be inspected to ensure that all parts have been correctly fitted, that no parts are missing and that nuts and bolts are tight and secure.
- Remove tacks, nails and screws left by other trades. These will damage the membrane if trodden on.

Every flat roof must have an inspection plan:

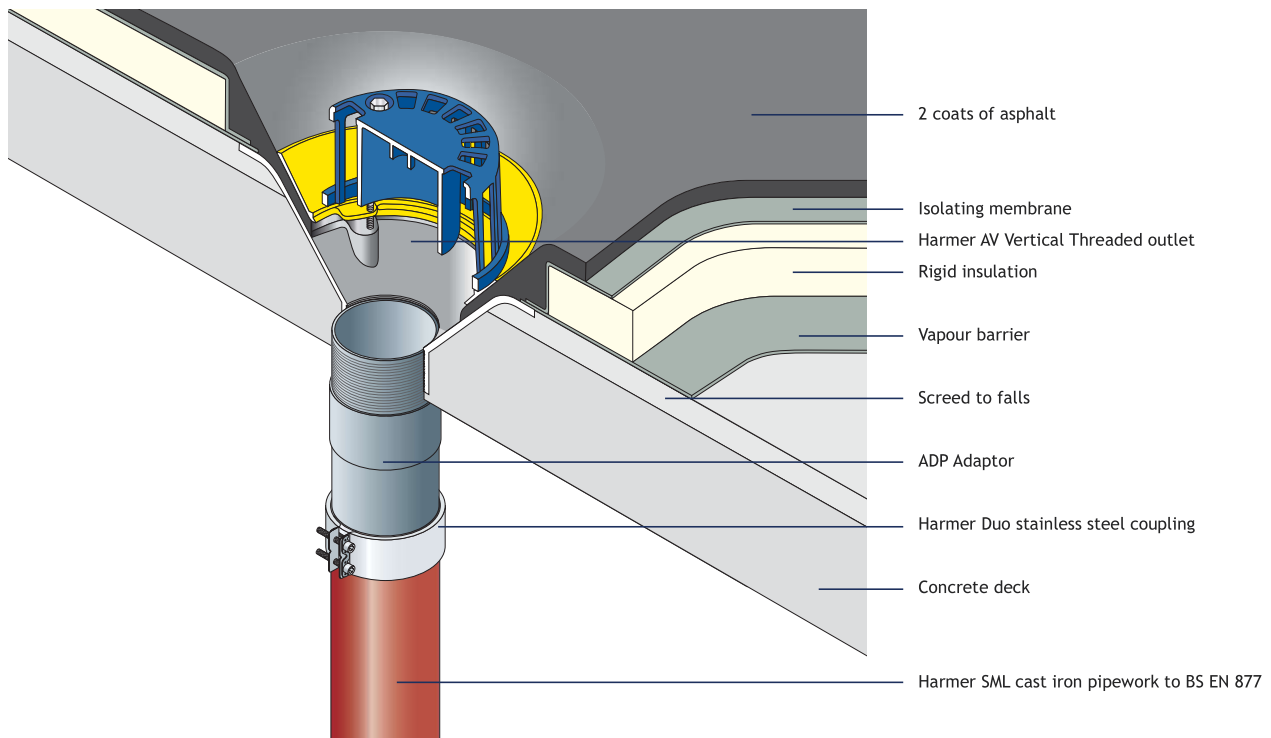
- Inspection of the outlets should be on a regular basis and generally not less than twice annually - Autumn and Spring.
- In locations with nearby trees, leaf congestion will require more frequent clearance.
- Plastic bags blown onto the roof will wash to an outlet position and block the strainer.
- Airborne grit and fines will silt up the inlets to the outlet and restrict flow.
- Remove silt and remove leaves.
- Check overflows have leaf guards fitted.
- Clear any blockages immediately to ensure system does not overflow.

Health & Safety

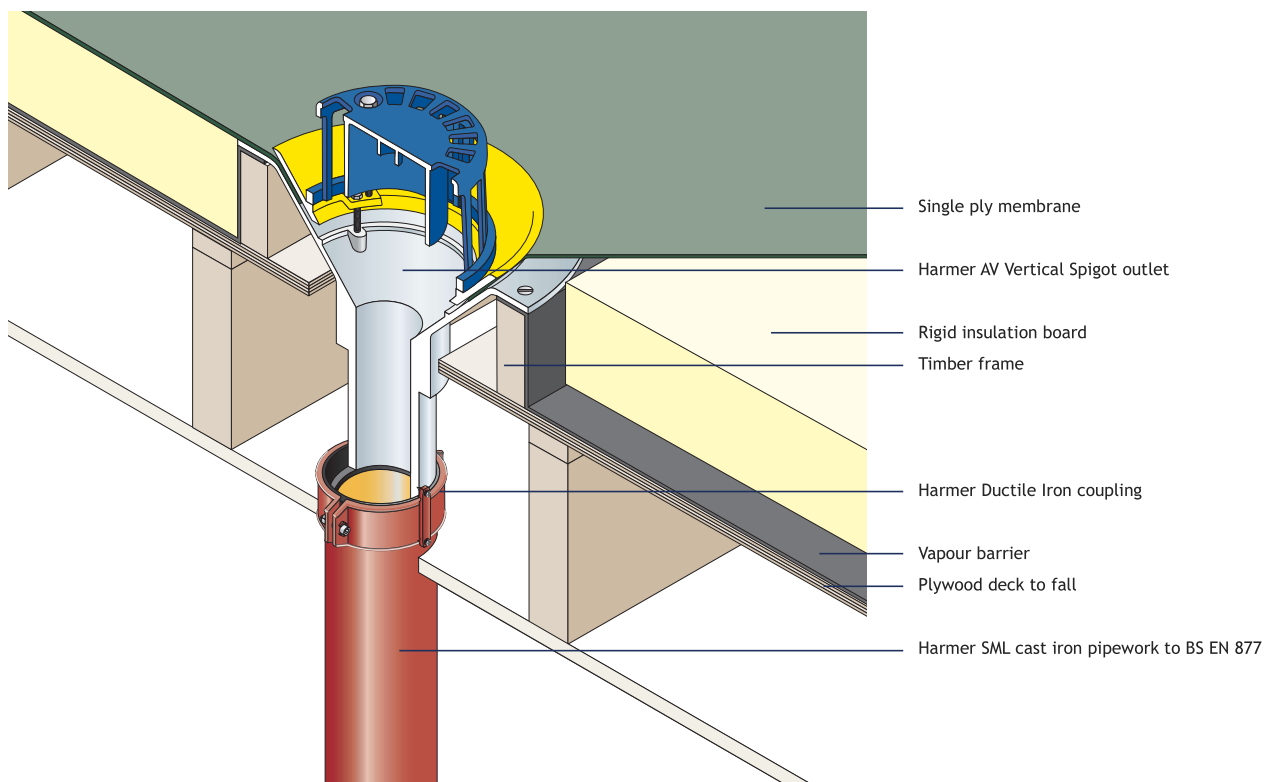
Always refer to current Health & Safety legislation, safe systems of work and the relevant material safety data sheets.

Aluminium Roof Outlets - Application Details

Harmer AV Vertical Threaded Outlet in Warm Roof Concrete Deck Construction with Asphalt Waterproofing

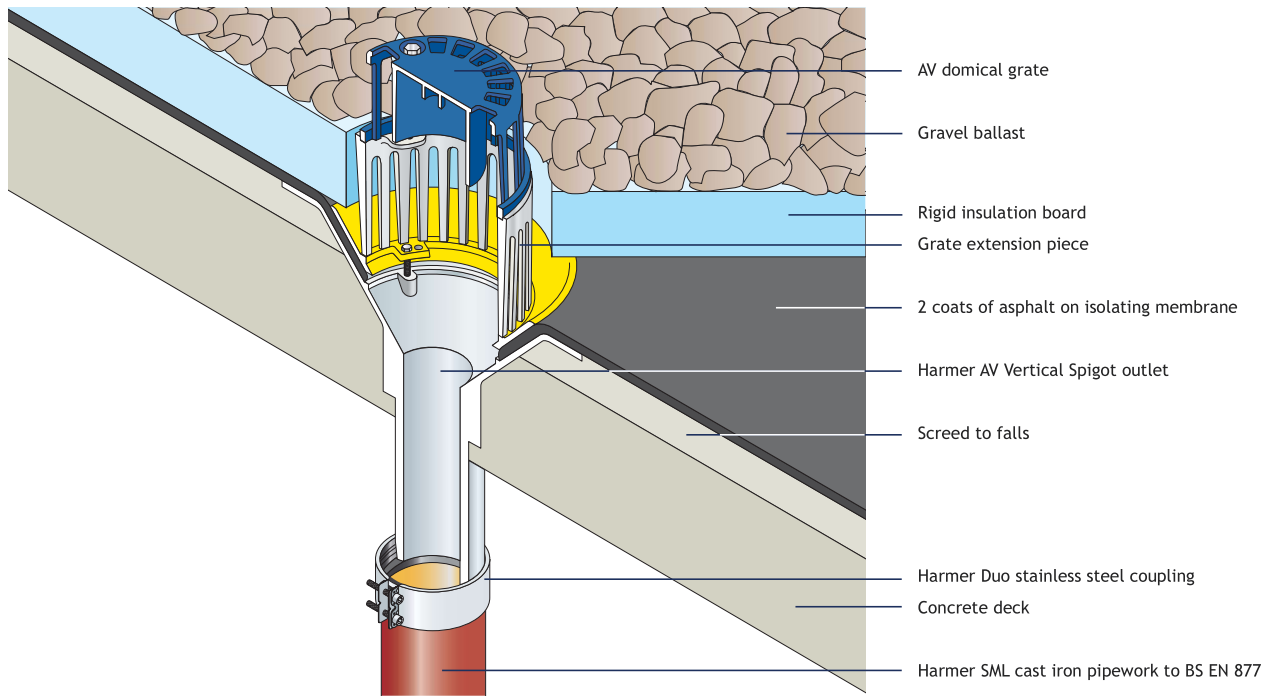


Harmer AV Vertical Spigot Outlet in Warm Roof Timber Deck Construction with Single Ply Waterproof Membrane



Aluminium Roof Outlets - Application Details

Harmer AV Vertical Spigot Outlet and Extension Piece in Inverted Roof Concrete Deck Construction



Harmer AV Vertical Spigot Outlet with Flat Grate in Inverted Roof Concrete Deck Construction with Paving Slabs on Uni-Ring Raised Deck Supports

