

Installation

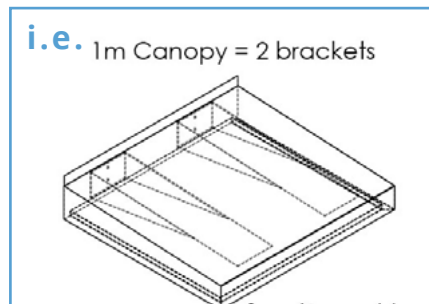
For installation of canopy you will require 2 people.

Tools & fixings require for installation:

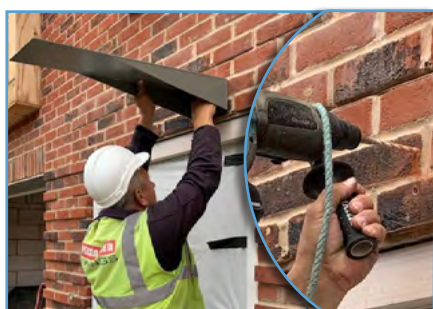
14mm masonry drill bit, 5mm metal drill bit, drill, hammer drill, 13mm spanner, Philips screwdriver, level, step ladder or other access, gloves, dusk mask, work bench (for assembly), **100mm long M8 anchor bolts & self-tapping screws with rubber washers, translucent low modulus silicone sealant.**



1. Unwrap material and check for any marks or scratches.



2. See overleaf for bracket set up for specific widths of canopy.



3. Mark finished bracket location and fixings holes with pencil or permanent marker.



4. Install brackets with 100mm long M8 anchor bolts (**NOT INCLUDED – you will need to source these separately**)



5. Level bracket with spirit level and if require pack to required position.



6. Assemble top section and soffit section with 4 self-tapping screws (**NOT INCLUDED**).



7. Slide assembled parts on fixed wall bracket (parts to be pushed tight against wall)

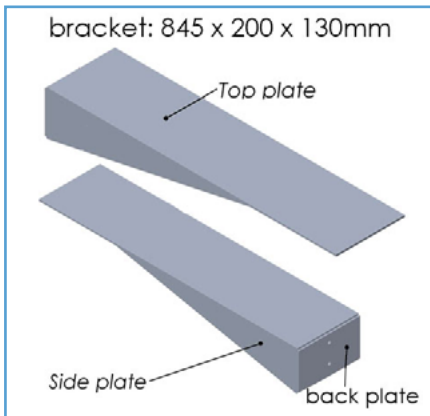


8. Secure parts by fixing through top to wall bracket using self-tapping screws with a rubber washer (**NOT INCLUDED**).

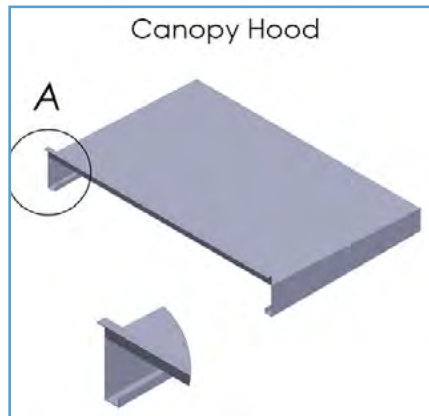
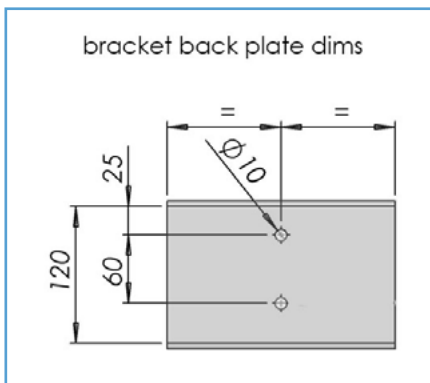


9. Fix through the upstand into the main substrate (**Self tappers NOT INCLUDED**)

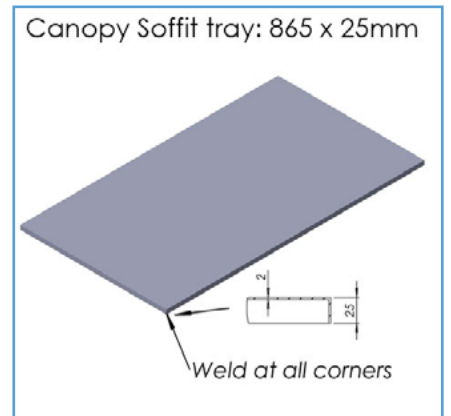
10. Finally, dress top of canopy with lead or required flashing. Optional: seal sides with a high quality low modulus silicone i.e. Dow Corning 791 or Adshead Ratcliffe colour matched to the same colour as the canopy (or as close as possible), failing that translucent.



Bracket detail ↑ ↓

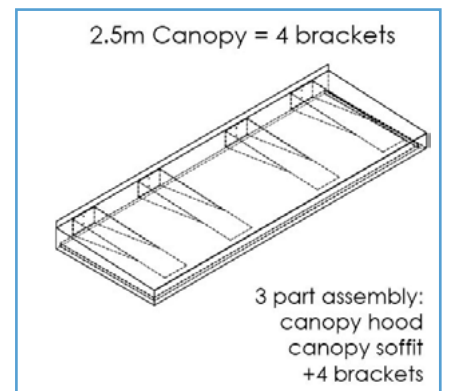
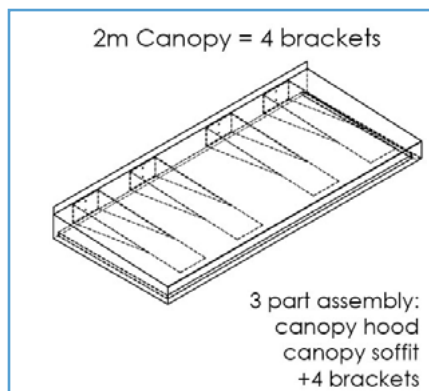
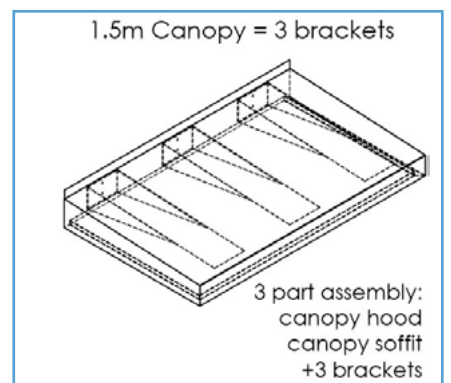
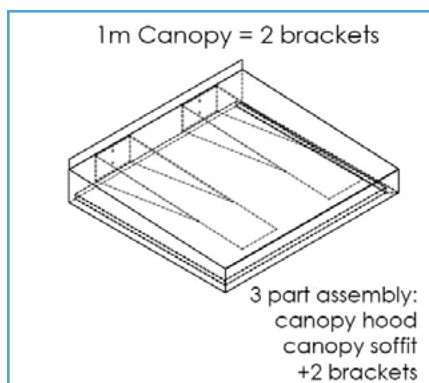


Canopy Hood detail ↑



Canopy Soffit detail ↑

Bracket set up for specific widths of canopy ↓



Rainclear Systems Limited
Unit 34A, Techno Trading Estate,
Ganton Way, Swindon, Wiltshire,
SN2 8ES United Kingdom